



Futura
SALICE

Futura

Fixing	page 7
Technical information	page 8
Part number composition	page 21
Packing	page 22



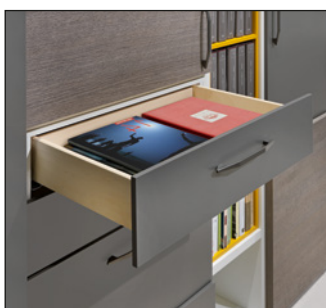
SELF-CLOSING

612	Concealed runner - part-extension	page 24
615	Concealed runner - part-extension	page 26
652	Concealed runner - full-extension	page 28
655	Concealed runner - full-extension	page 30



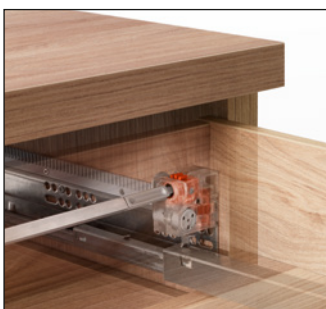
PUSH

6127	Concealed runner - part-extension	page 34
6157	Concealed runner - part-extension	page 36
6527	Concealed runner - full-extension	page 38
6557	Concealed runner - full-extension	page 40



SMOVE

6125	Concealed runner - part-extension	page 44
6155	Concealed runner - part-extension	page 46
6525	Concealed runner - full-extension	page 48
6555	Concealed runner - full-extension	page 50



Accessories

Spacers for Futura runners	page 54
Stabiliser device for drawers	page 55
Stabila	page 56
Spacers for Futura	page 57

Futura



Futura

Futura, the concealed runner produced by Salice, is suitable for all drawer opening applications, both with part- and full-extension.

It is available in three versions:

- with traditional Self-closing (see page 23);
- with Push opening in handle-less furniture (see page 33);
- with Smove decelerated closing (see page 43).

Self-closing



Push



Smove



Drawer setting: abbreviations

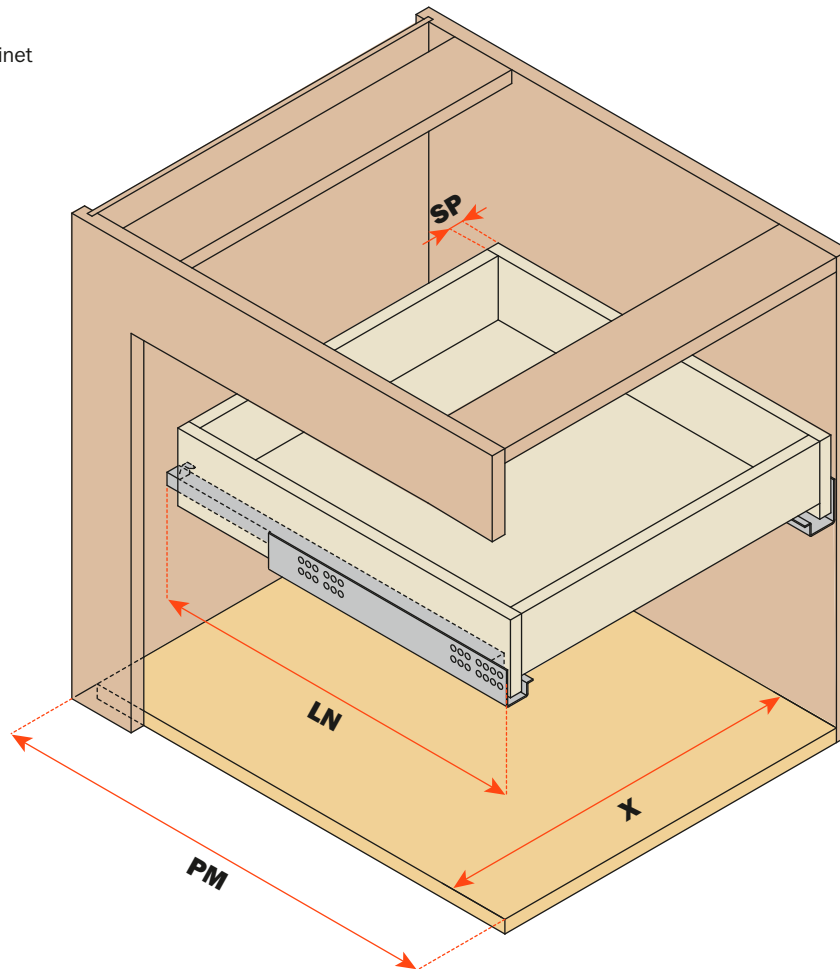
Chest of drawers

SP = Thickness of the drawer

LN = Nominal runner length

PM = Depth of the cabinet

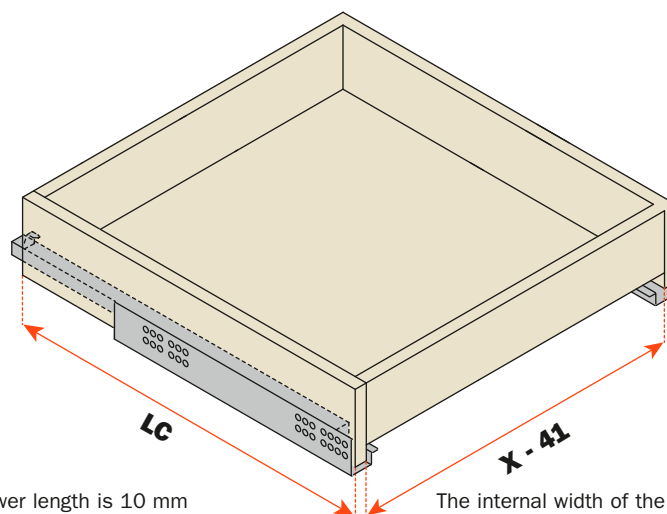
X = Internal width of the cabinet



Drawer dimensions

LC = Runner length - 10 mm

X - 41 = Internal width of the drawer

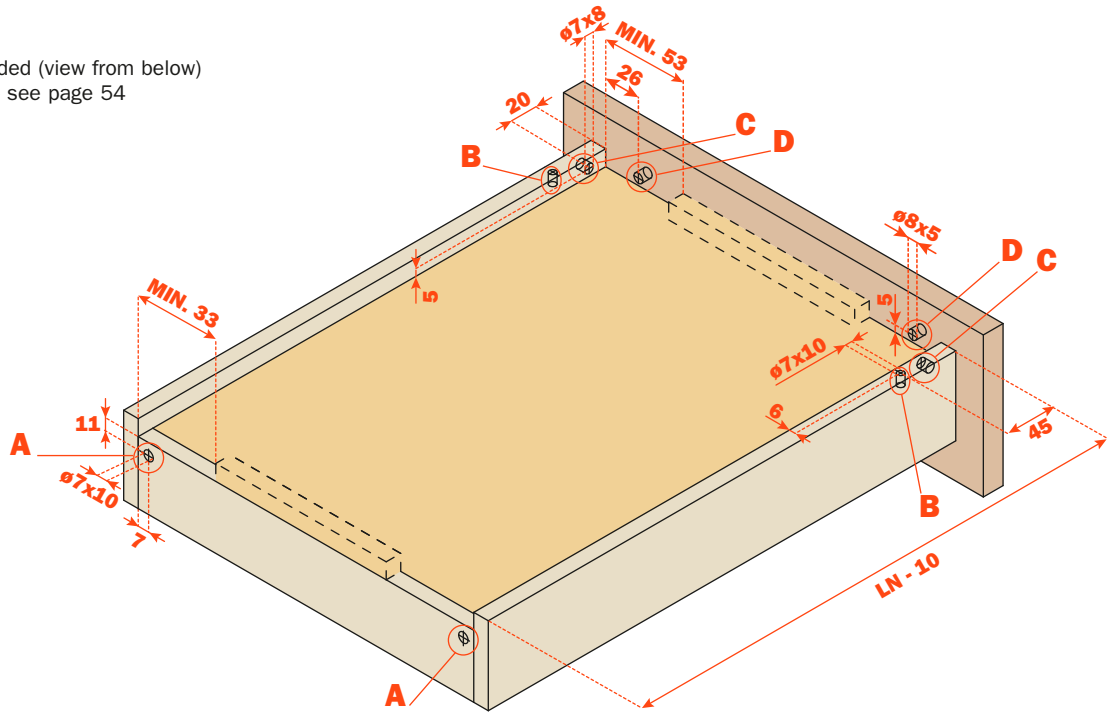


The drawer length is 10 mm shorter than the runner length

The internal width of the drawer is 41 mm less than the internal width of the cabinet

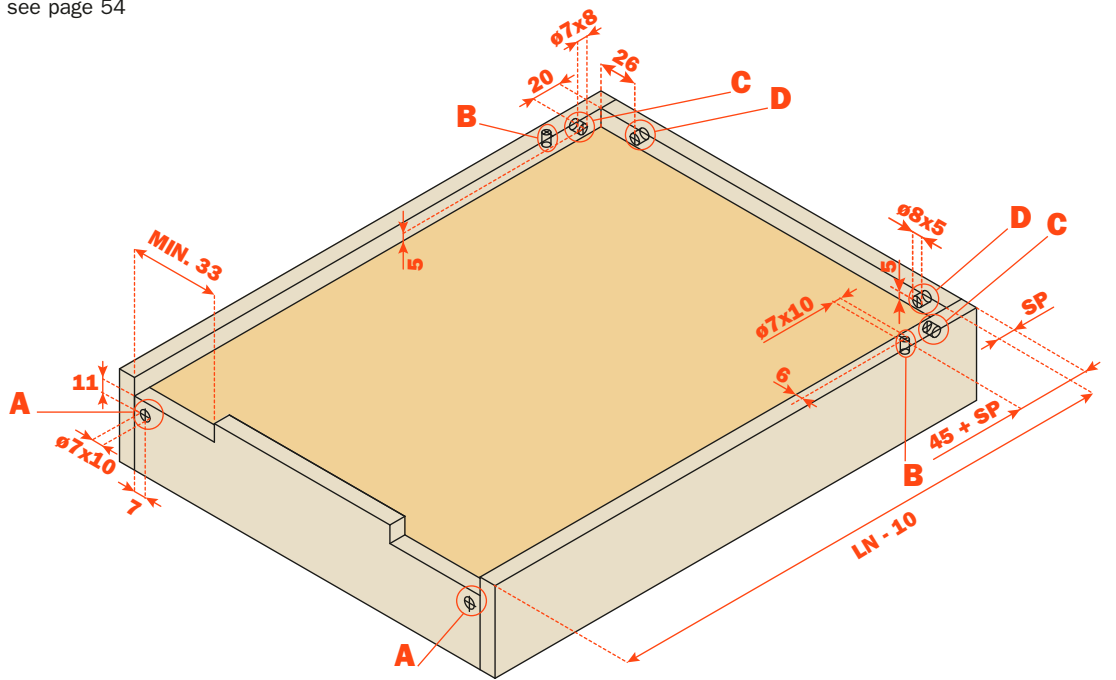
Drawer drilling

Drawer with frontal - three-sided (view from below)
 Template for drawer drilling - see page 54

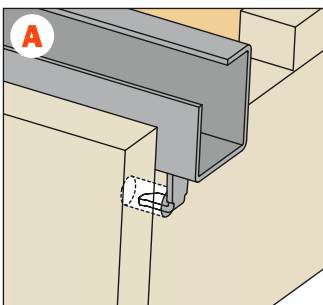


Drawer drilling

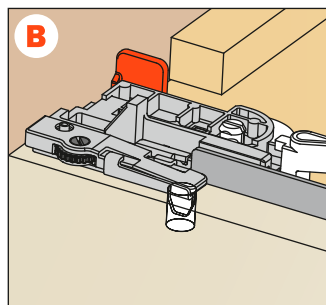
Internal drawer - four-sided (view from below)
 Template for drawer drilling - see page 54



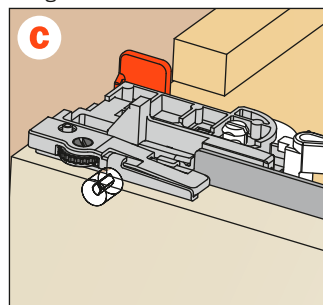
Rear hook



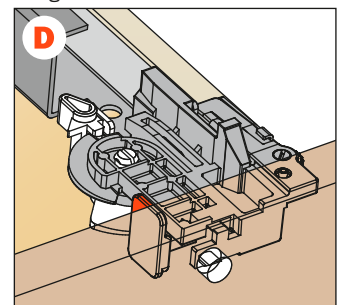
Drawer locating pin



Security pin - fixing to the drawer

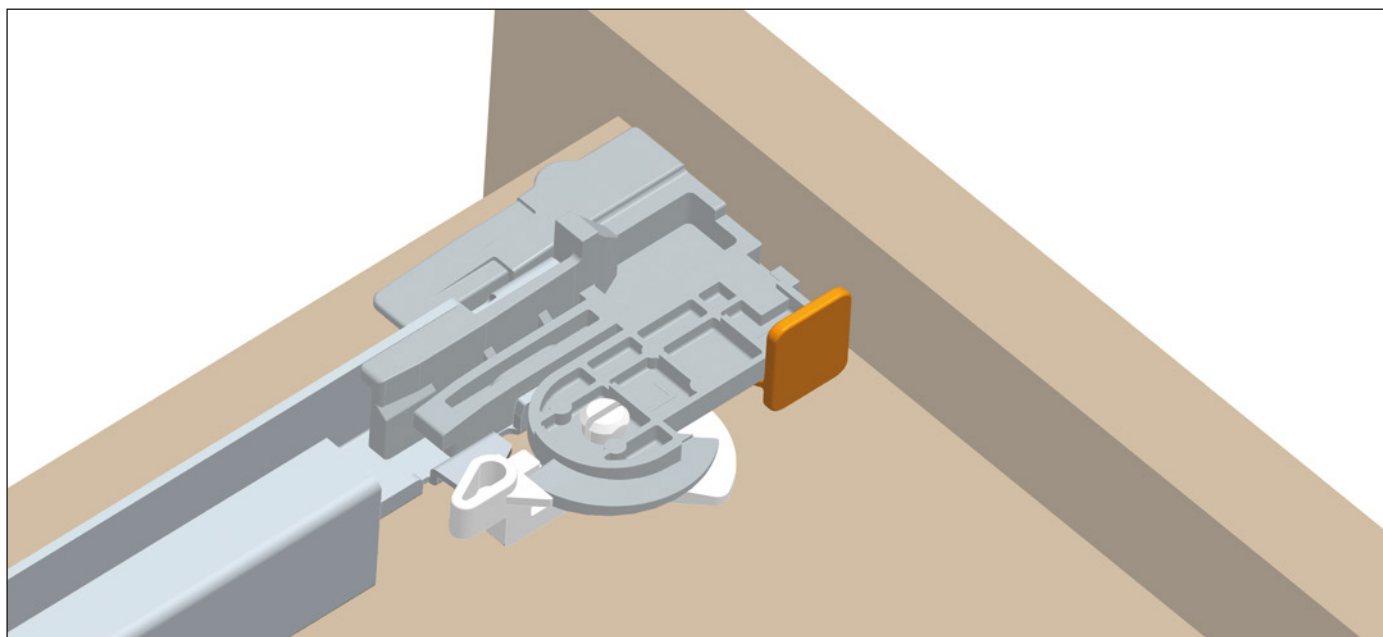
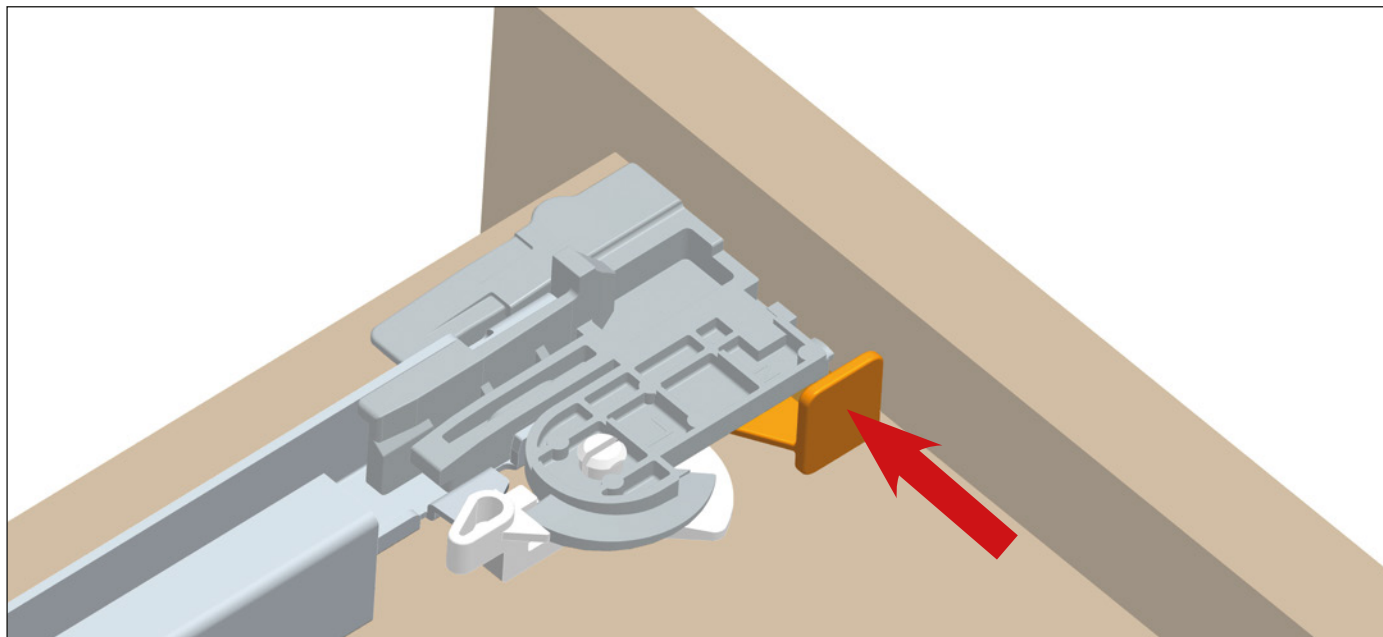


Security pin - fixing to the frontal



Fixing of the drawer security pin

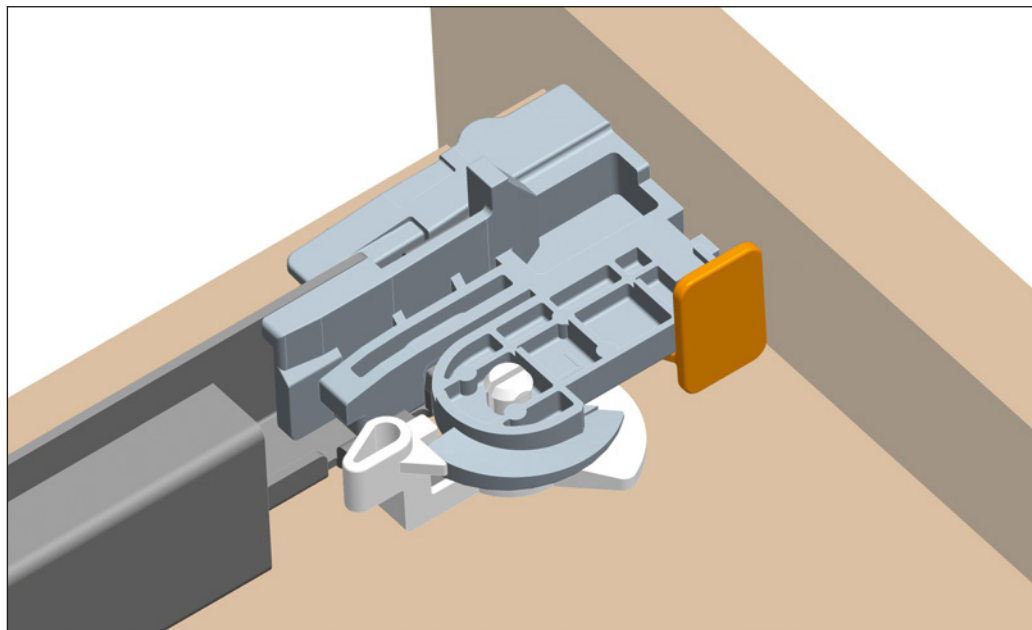
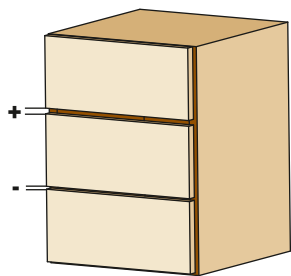
Available on all runner versions.
This operation is tool free.
The device locks the drawer onto the runners.



Height adjustment + 3 mm

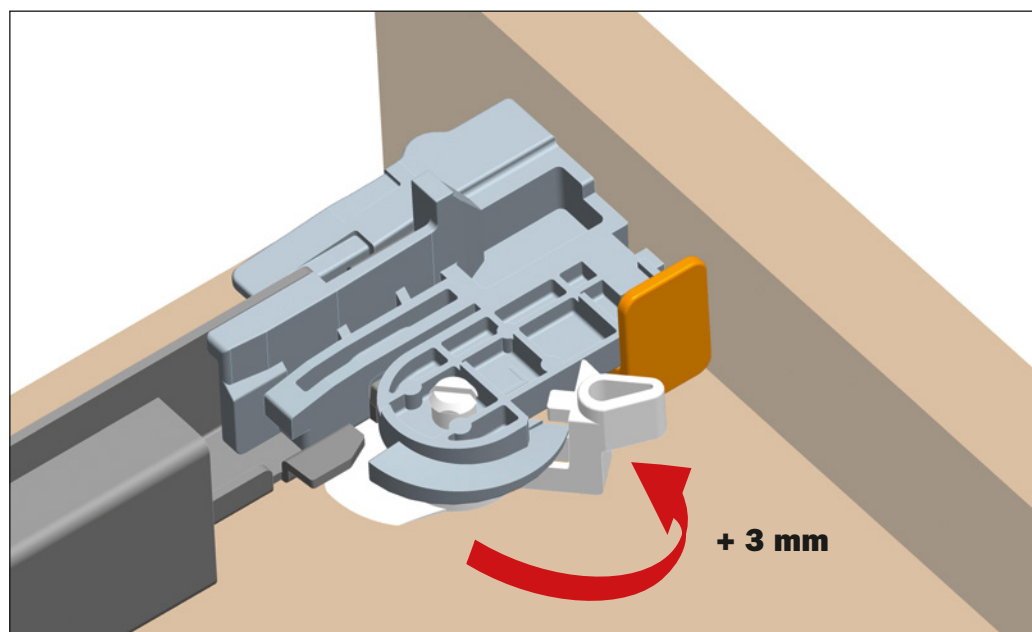
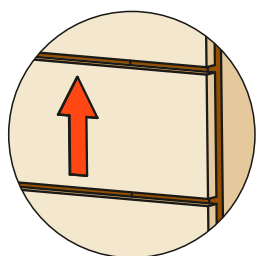
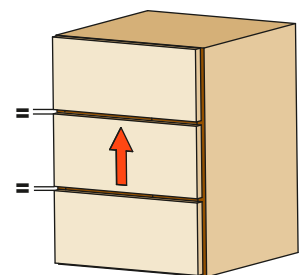
Available on all runner versions.
This operation is tool free.

Initial position of the lever for the height adjustment.



Turn the lever towards the front of the drawer to achieve the height adjustment.

This operation is tool free.

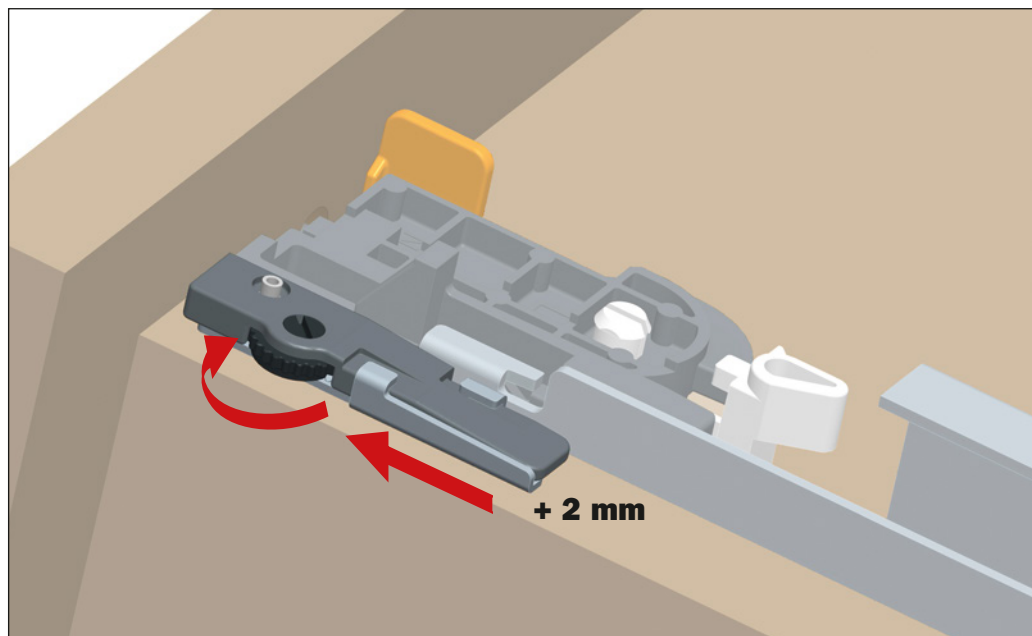
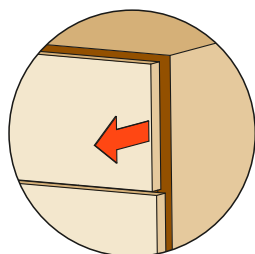
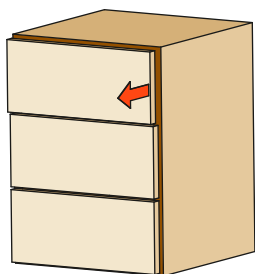


Depth adjustment + 2 mm - 2 mm

Available on all Push runners.

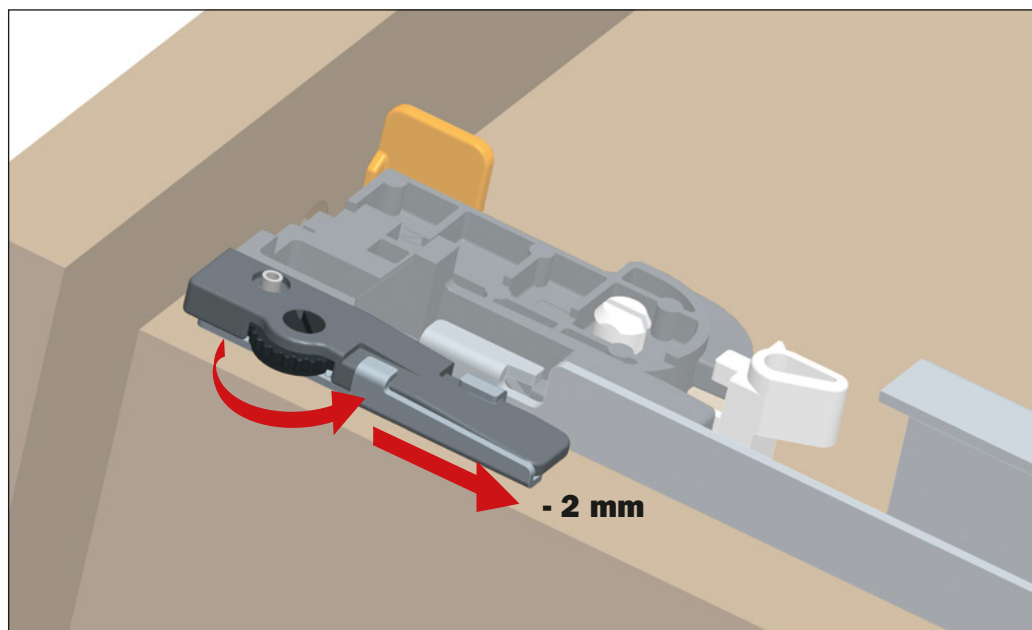
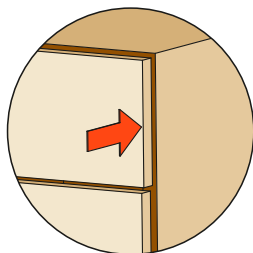
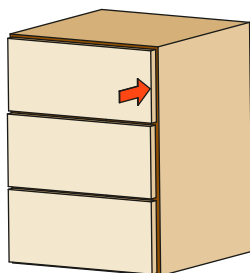
Rotate the black wheel towards the front of the drawer to increase the gap between the front and the side.

This operation is tool free.



Rotate the black wheel towards the back of the drawer to reduce the gap between the front and the side.

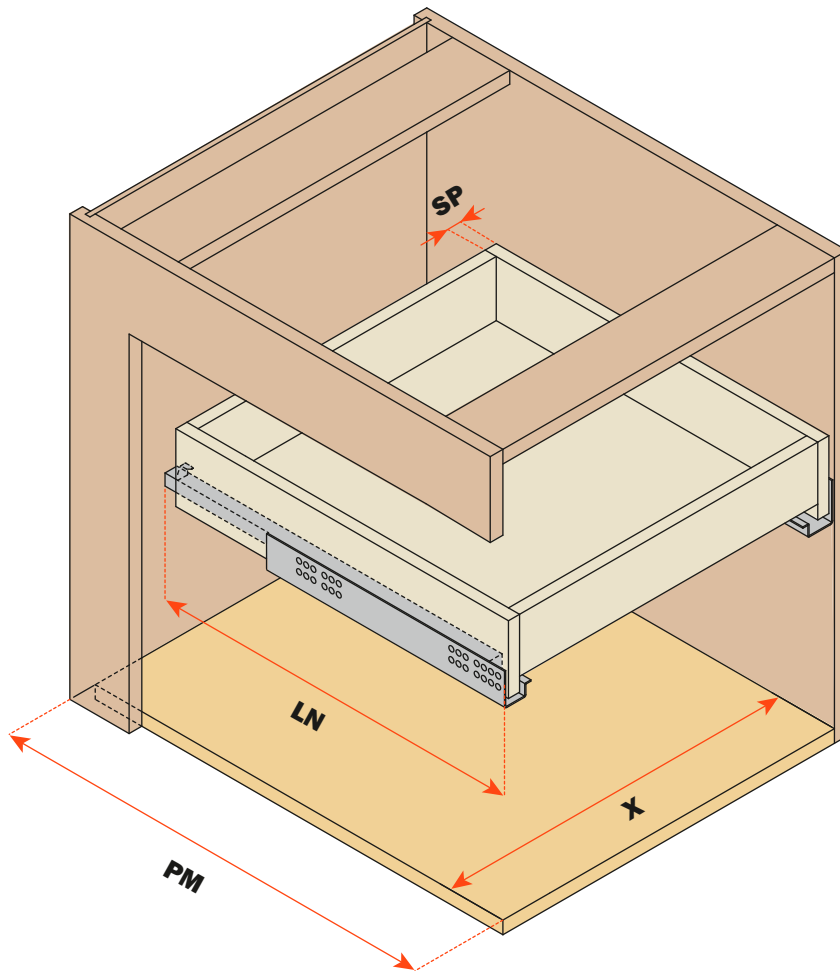
This operation is tool free.



Drawer setting: abbreviations

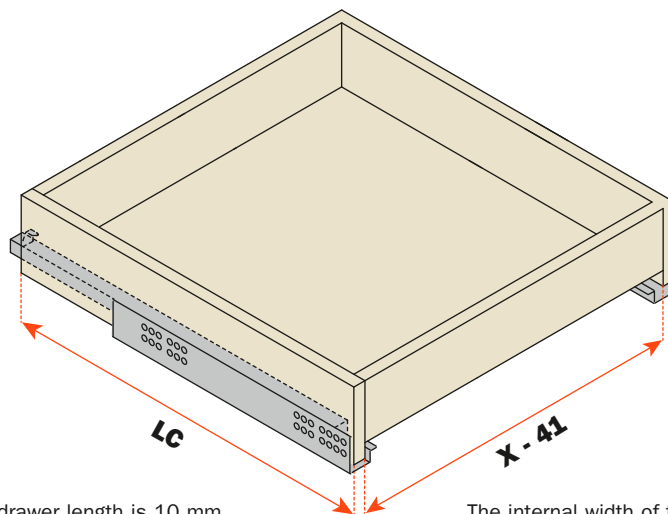
Chest of drawers

- SP** = Thickness of the drawer
- LN** = Nominal runner length
- PM** = Depth of the cabinet
- X** = Internal width of the cabinet



Drawer dimensions

- LC** = Runner length - 10 mm
- X - 41** = Internal width of the drawer

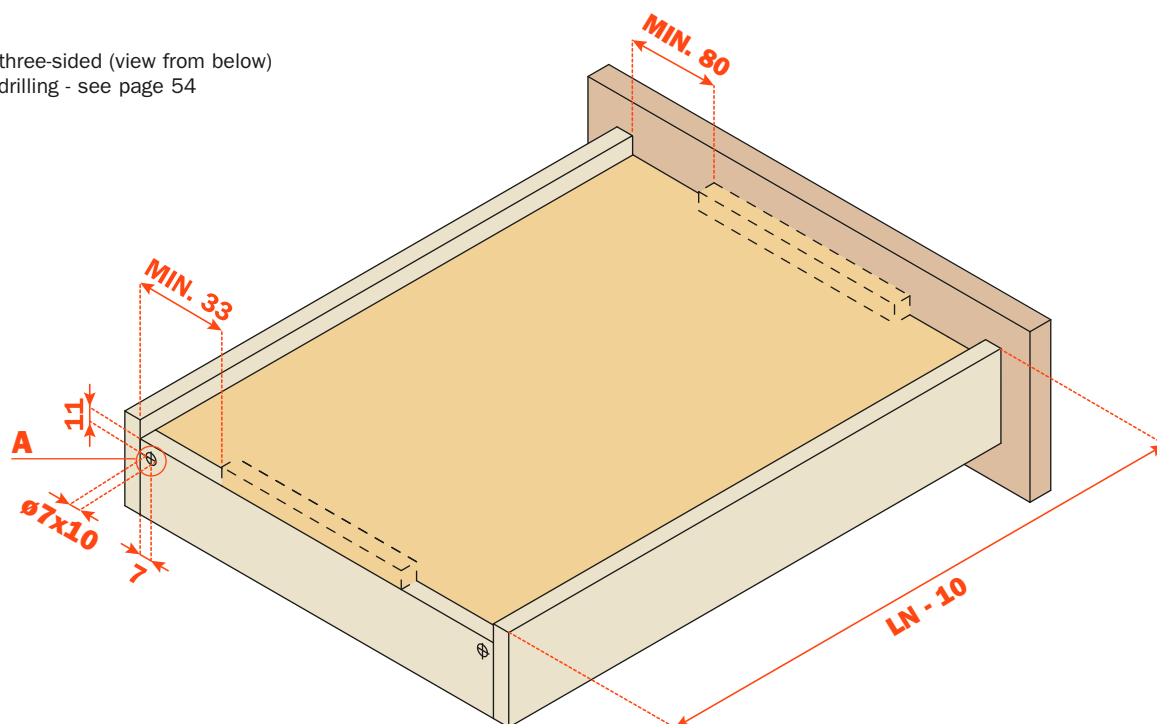


The drawer length is 10 mm shorter than the runner length

The internal width of the drawer is 41 mm less than the internal width of the cabinet

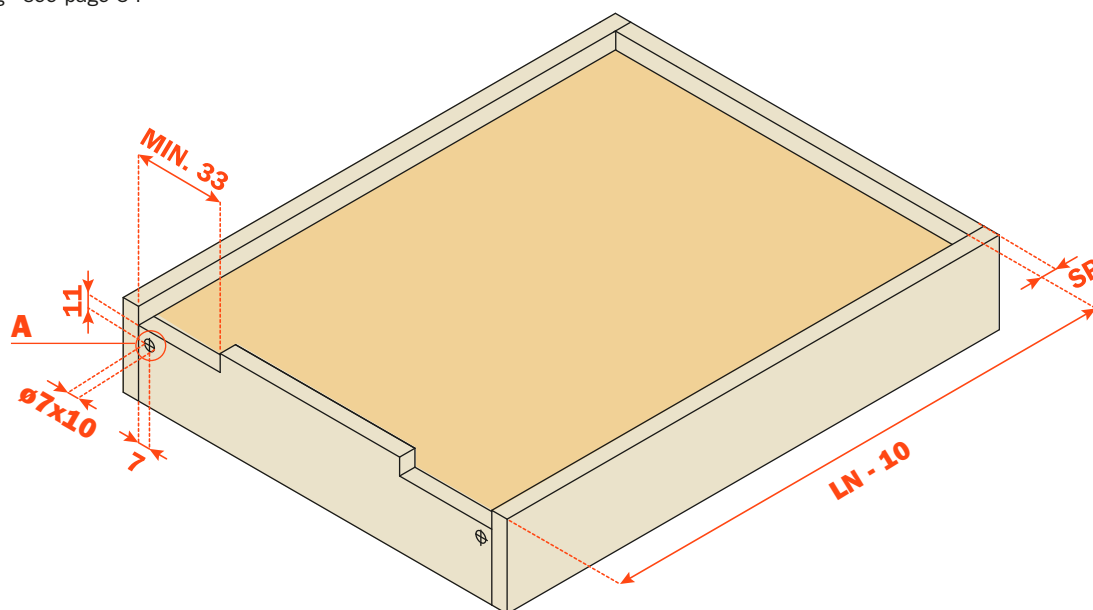
Drawer drilling

Drawer with frontal - three-sided (view from below)
Template for drawer drilling - see page 54

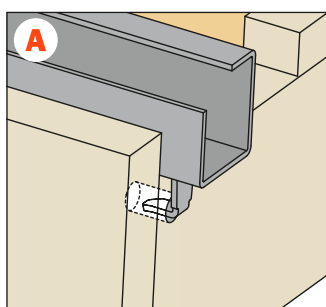


Drawer drilling

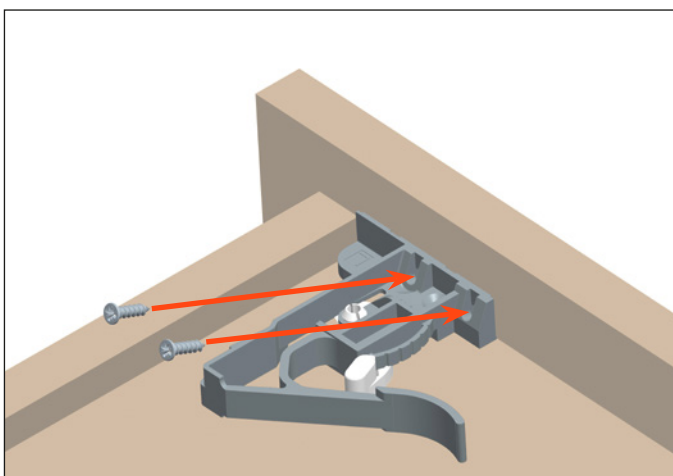
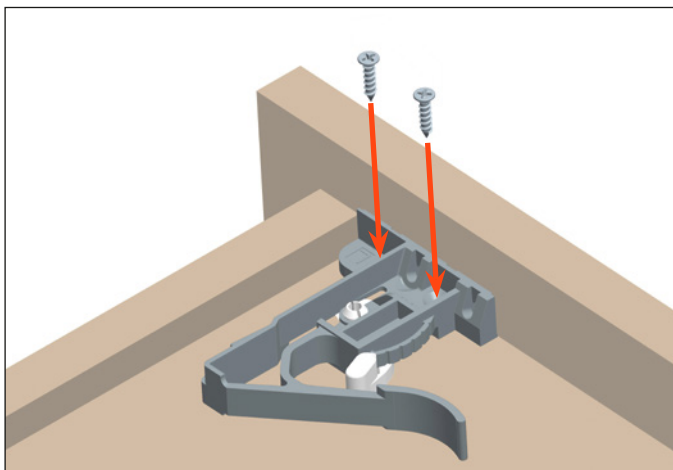
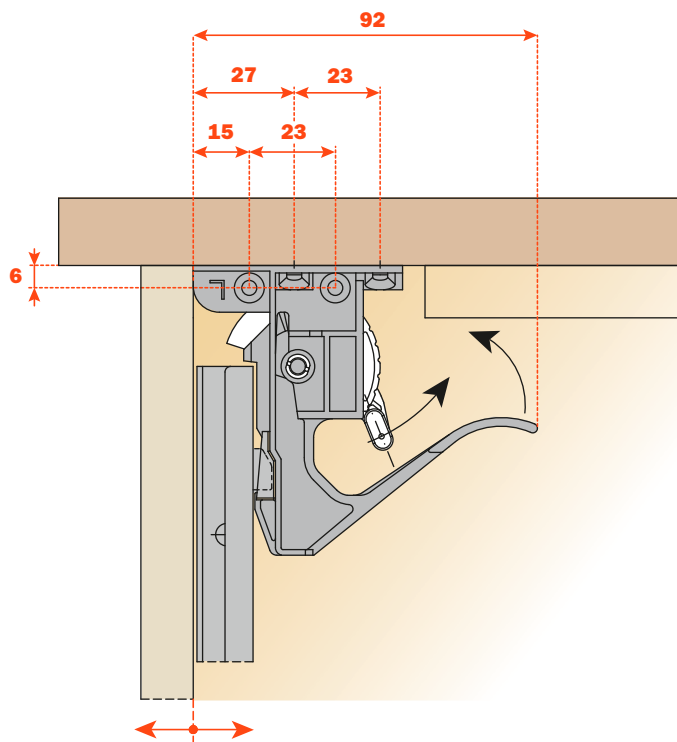
Internal drawer - four-sided (view from below)
Template for drawer drilling - see page 54



Rear hook

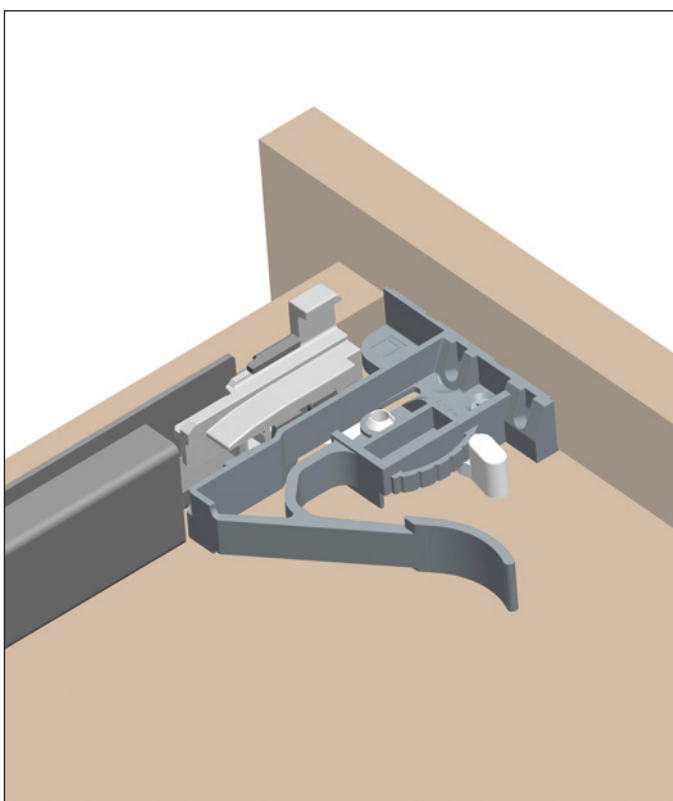
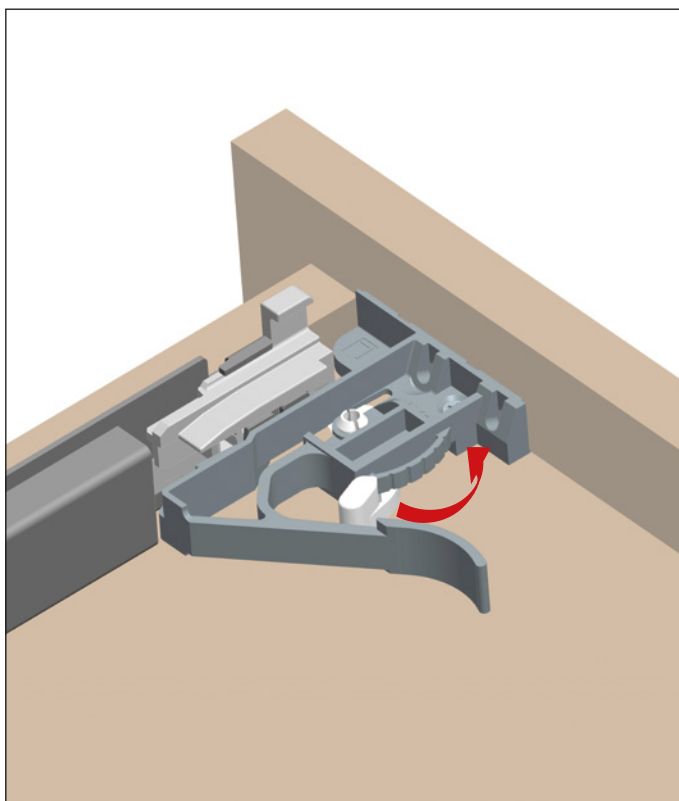


Fixing clip



Drawer adjustment

Drawer height adjustment (+ 2,5 mm) using the lever indicated
This operation is tool free



Futura - with 3 way adjustable clip

The 3 way adjustment allows to:

- align the drawers between them;
- align the drawers with the cabinet.

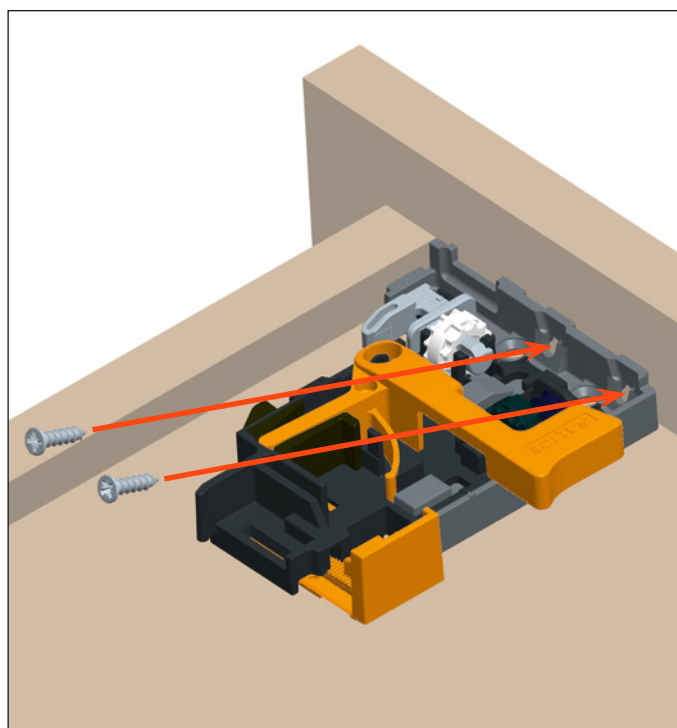
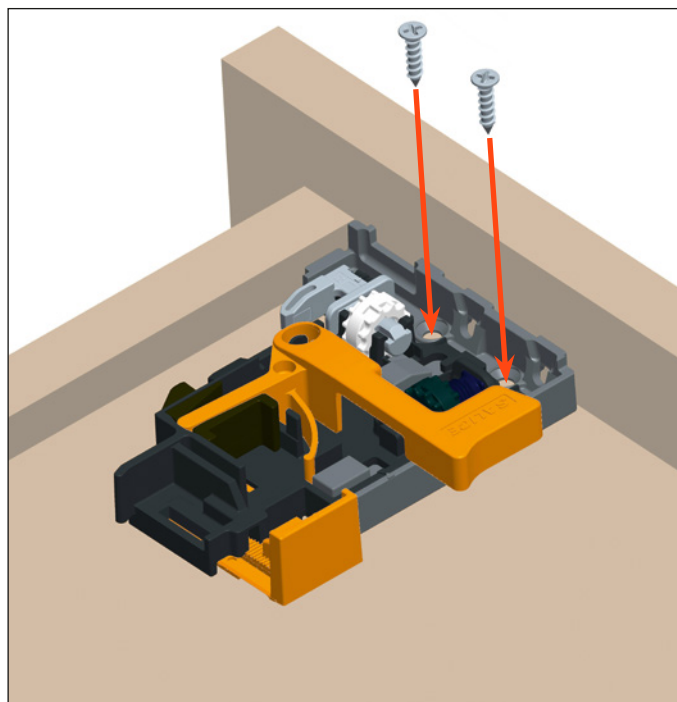
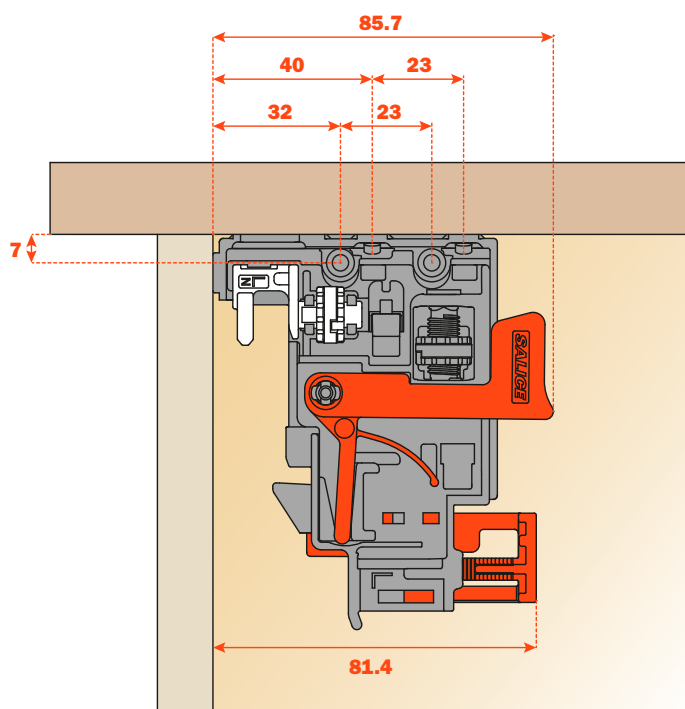
Features and benefits of the clip:

- for all versions of full-extension runners
- tool free 3 way adjustment
- patented removal system of the drawer, from both the front and the sides of the drawer
- clip manufactured in Carbon Fibre rich material for light weight, strength and rigidity

Clip assembly

Position the left and the right clip at the front of the drawer.

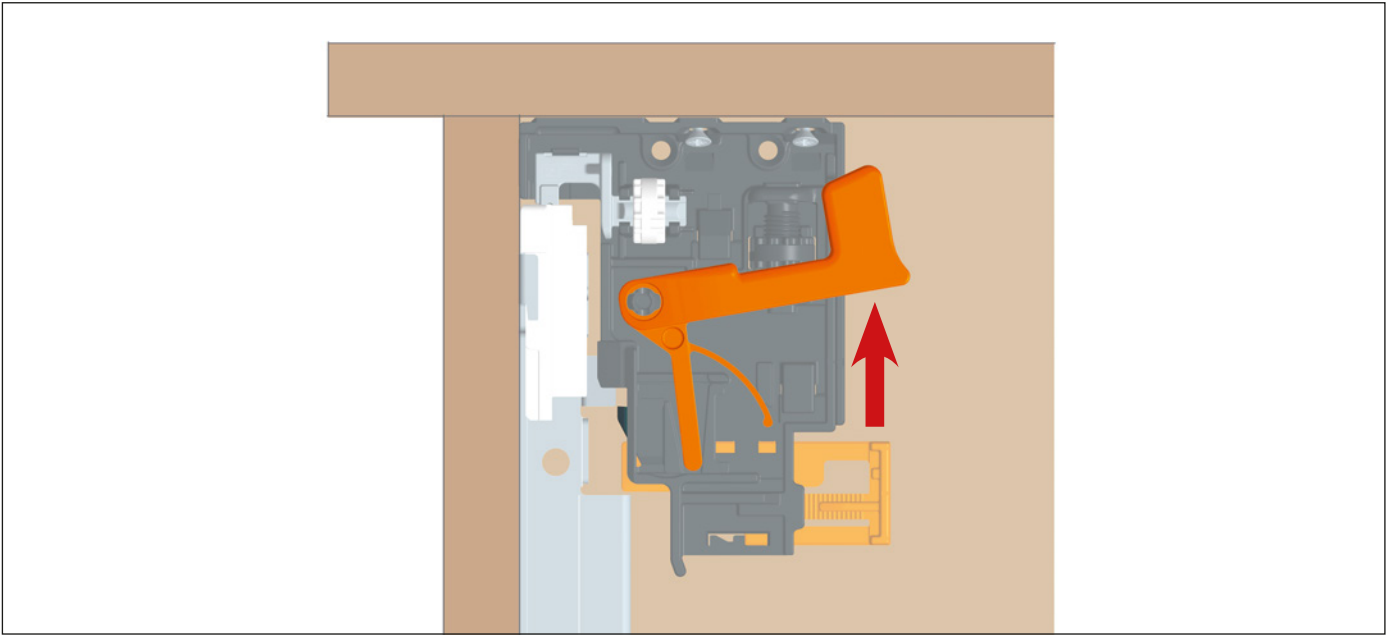
Fix with the screws on the bottom or on the front of the drawer as indicated in the images below.



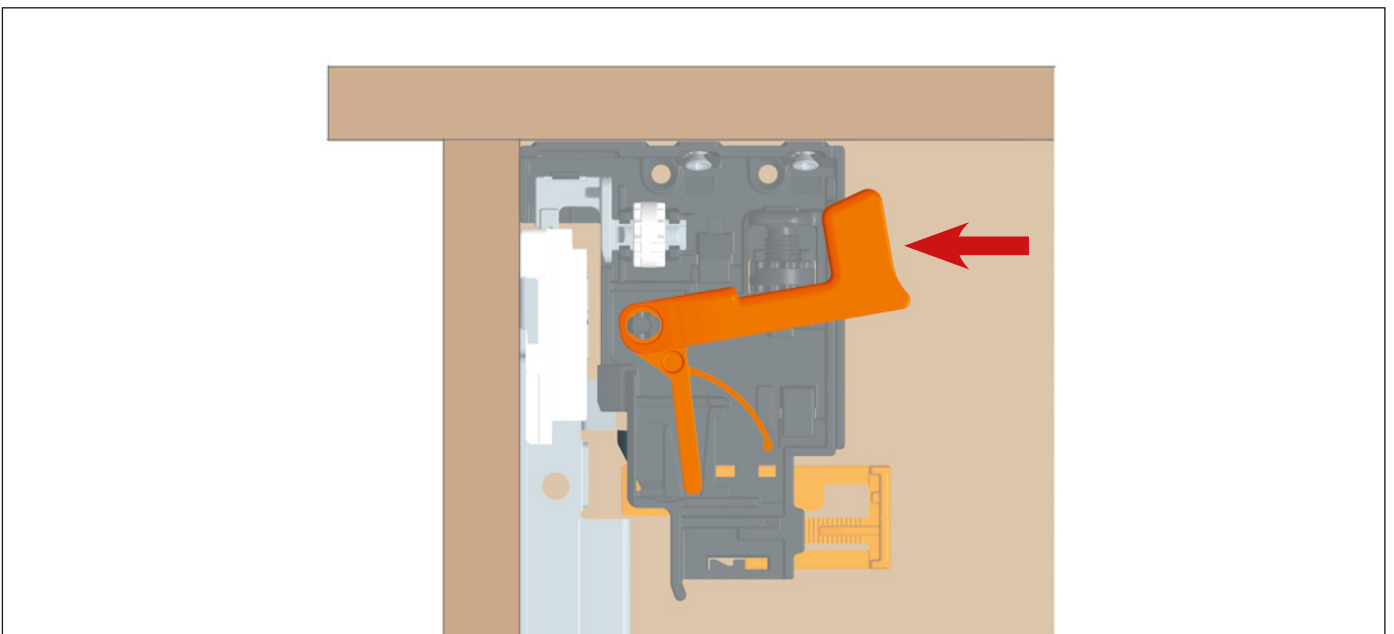
Removed

The drawer can be removed operating from both the front and the sides.

Removal from the front: position the hands under the front of the drawer and operate on the orange levers, as indicated in the drawing, sliding the drawer forward.



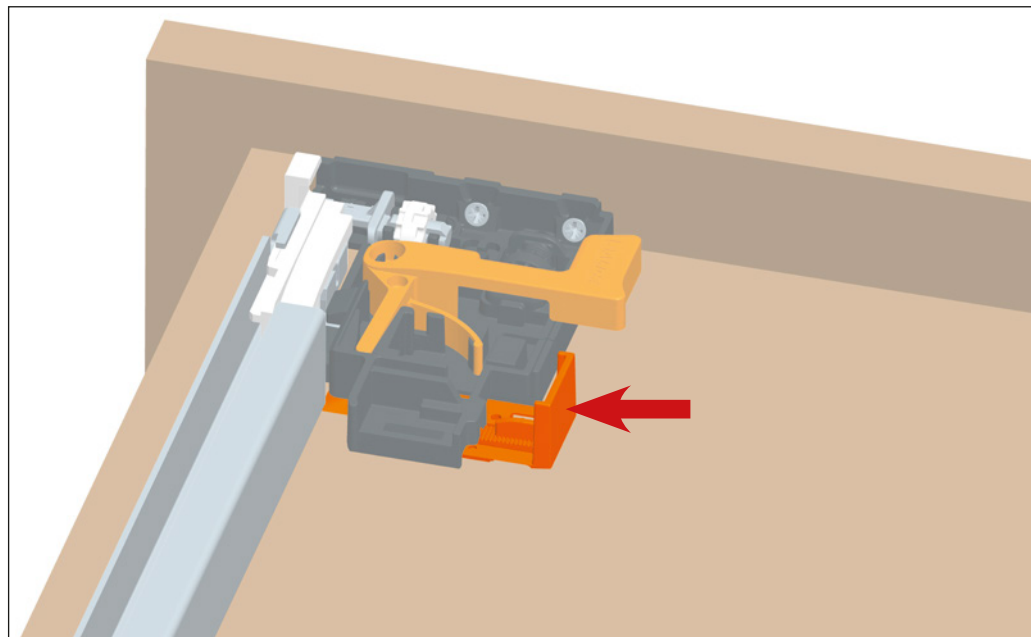
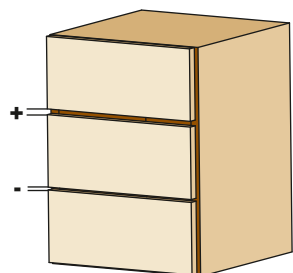
Removal from the side: position the hands under both sides of the drawer and operate on the orange levers, as indicated in the drawing, sliding the drawer forward.



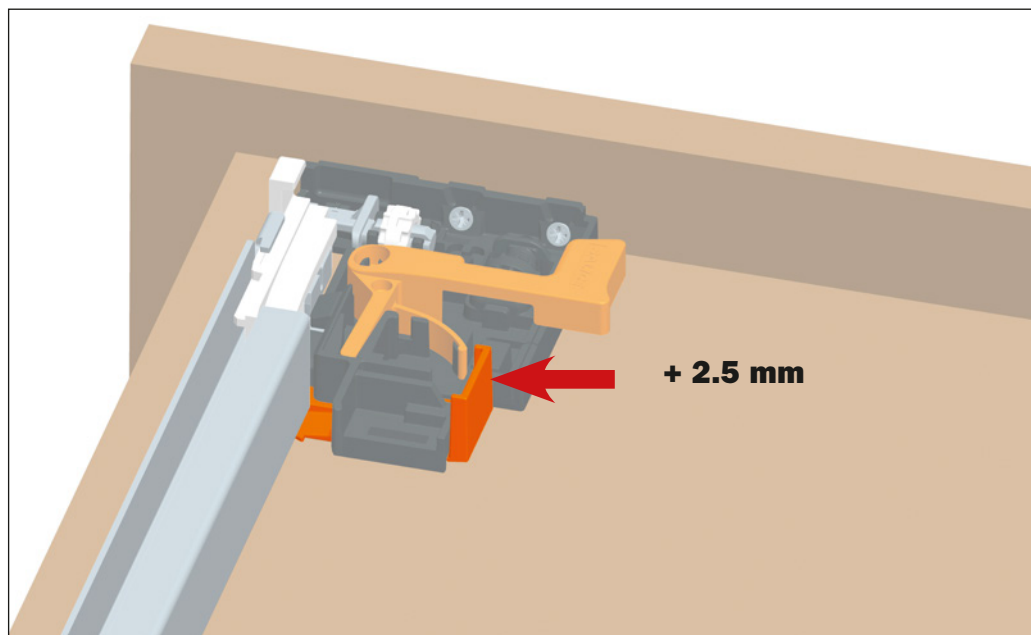
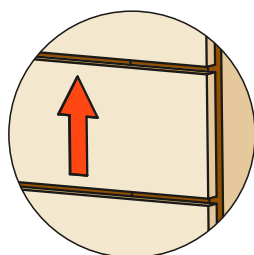
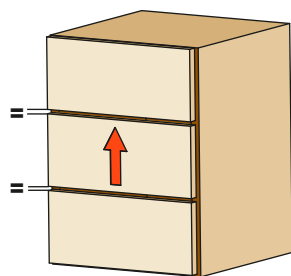
Futura - with 3 way adjustable clip

Height adjustment + 2.5 mm

Initial position of the lever for the height adjustment.

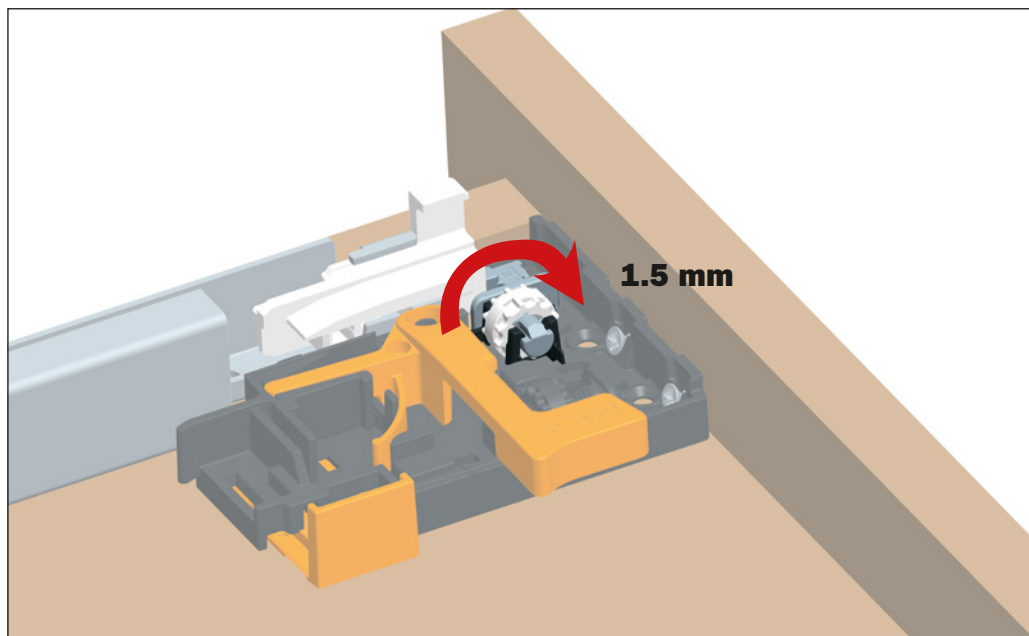
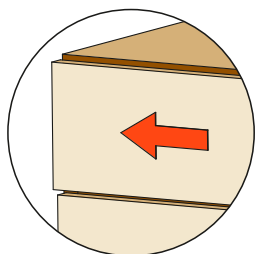
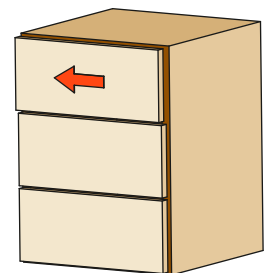


Push the lever towards the outside of the drawer to achieve the height adjustment.
This operation is tool free.

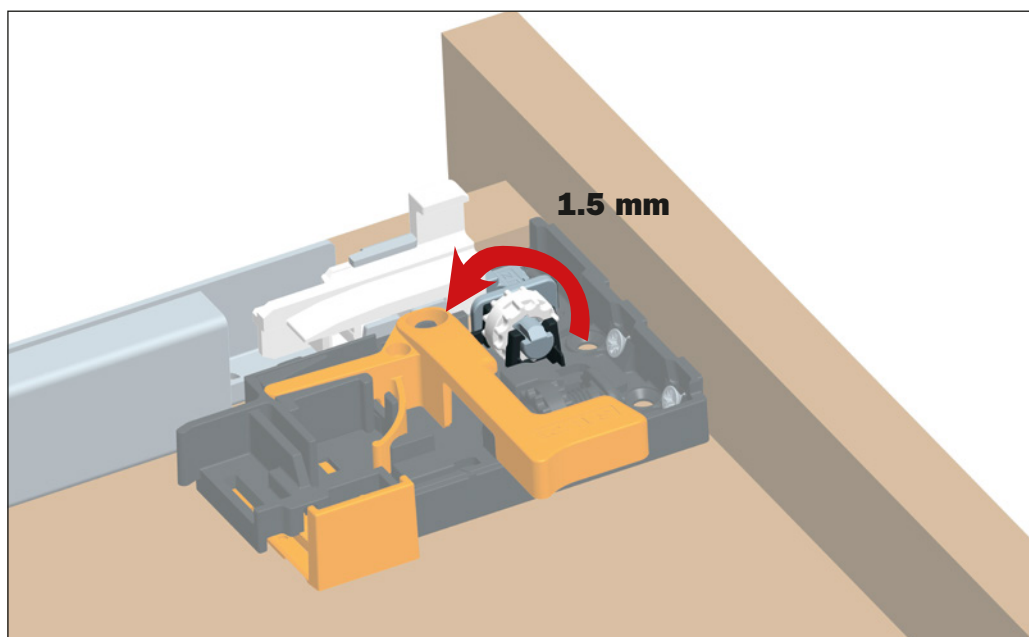
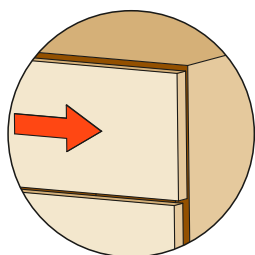
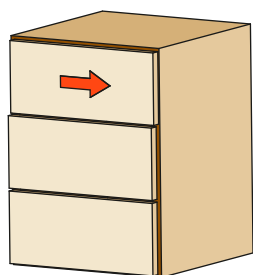


Sideways adjustment + 1.5 mm - 1.5 mm

Rotate the white wheel towards the front of the drawer to adjust left.
The clip shows the position 0.
This operation is tool free.



Rotate the white wheel towards the back of the drawer to adjust right.
The clip shows the position 0.
This operation is tool free.

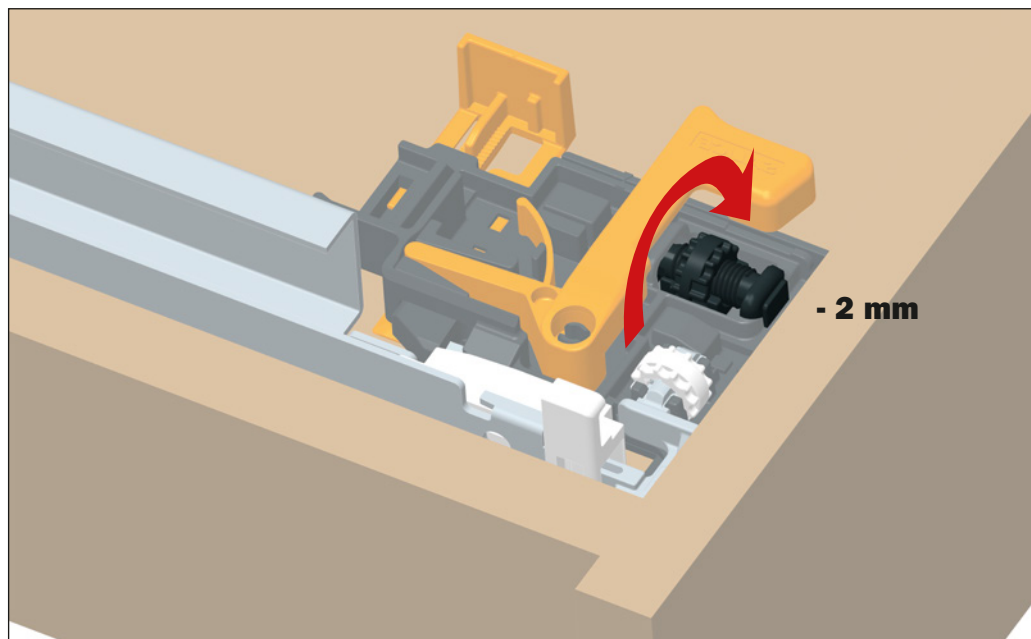
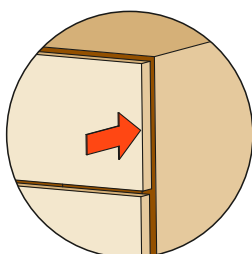
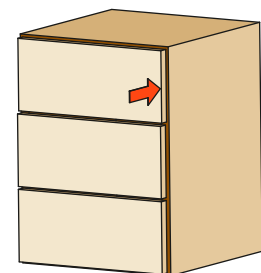


For sideways adjustment, it is recommended that the adjusters on the clips are operated in the same direction, in order to maintain the correct alignment and movement of the runners.

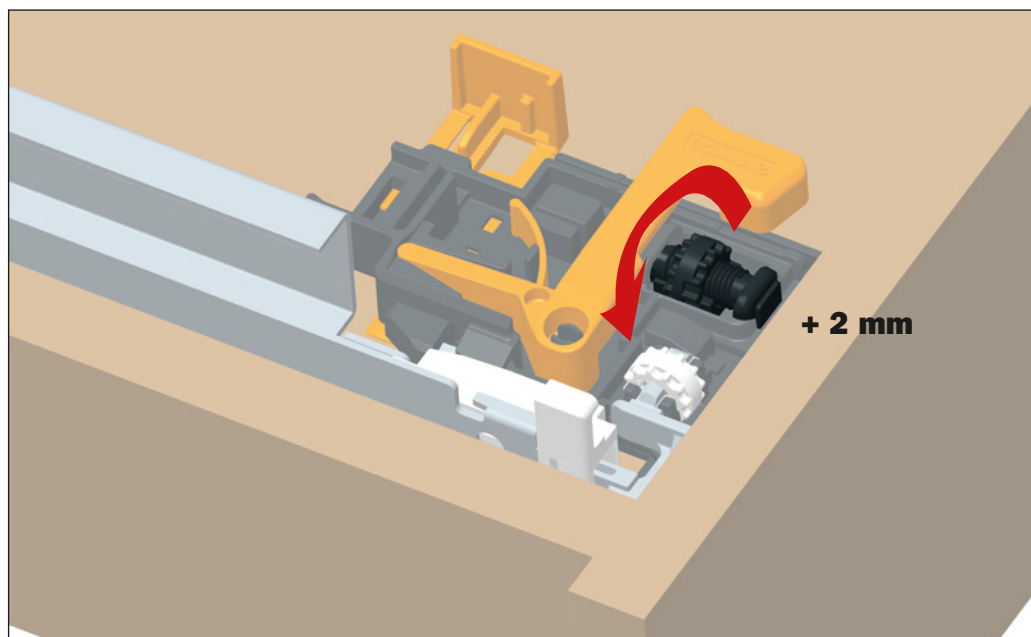
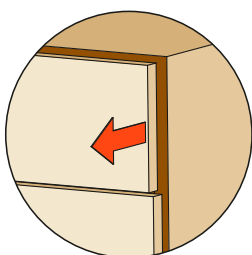
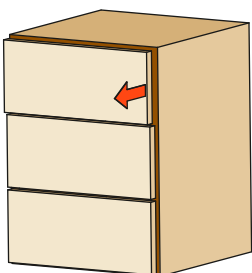
Futura - with 3 way adjustable clip

Depth adjustment + 2 mm - 2 mm

Rotate the black wheel towards the inside of the drawer to reduce the gap between the front and the side.
The clip shows the position 0.
This operation is tool free.

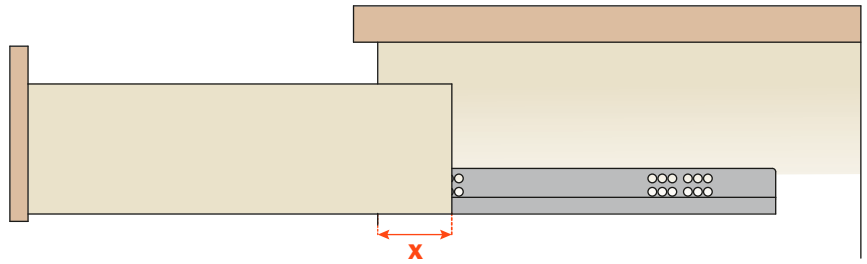


Rotate the black wheel towards the outside of the drawer to increase the gap between the front and the side.
The clip shows the position 0.
This operation is tool free.



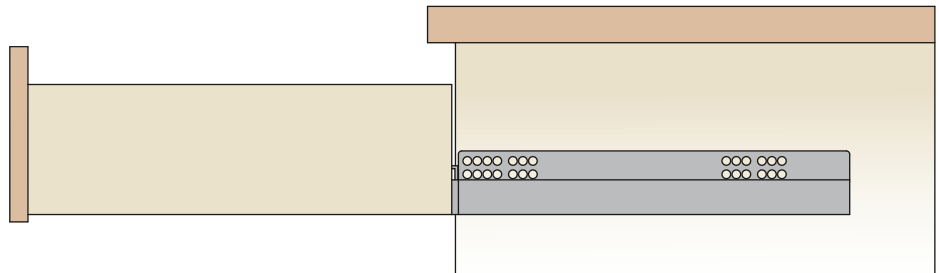
Part-extension

- Runner length (nominal size)
 - from 250 to 470 mm → x = 89 mm
 - from 500 to 600 mm → x = 119 mm



Full-extension

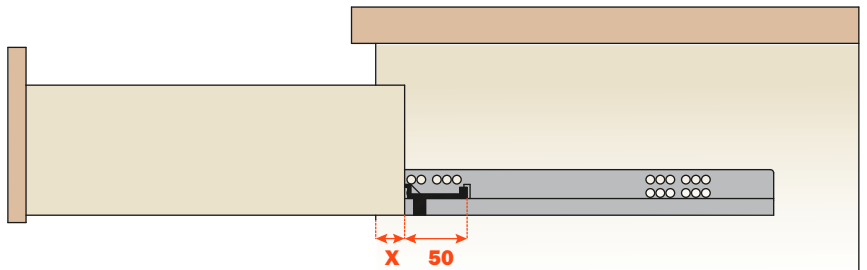
Drawer length = extension



Part-extension with spacer

- Runner length (nominal size)
 - from 250 to 470 mm → x = 39 mm
 - from 500 to 600 mm → x = 69 mm

With the application of the spacer on the part-extension runner and by reducing the drawer length by 50 mm, the portion of the drawer that remains in the cabinet when it is fully open is consequently reduced.



SPACER PART NUMBER

(to order separately)

1 0 610 000 50 600
 Industrial packing: 100 pairs

Part number composition - Runners

Example:

10	XXX	XX	XXX	2	0	0
BASIC PART NUMBER	ARTICLE (ex. 612)	ARTICLE VERSIONS: 00 = With self-closing 50 = With Smove 70 = With Push	PACKING: 0 = Industrial	FIXING ON CABINET SIDE: 0 = To be screw fixed	RUNNER LENGTH (in mm)	

Clip version

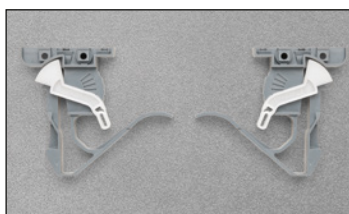
Industrial packing

Box = 20 pairs

Pallet = see the table



1 0 710 00 010 1 0 0

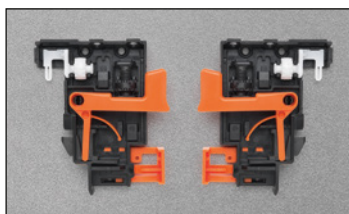


Futura with 1 way adjustable clip.
Packing = 100 pairs

PART-EXTENSION		
ARTICLE	LENGTH	PACKING
615	from 250 to 600	500 prs
6157 PUSH	from 250 to 600	500 prs
6155 SMOVE	from 250 to 400	400 prs
6155 SMOVE	from 450 to 600	320 prs

FULL EXTENSION		
ARTICLE	LENGTH	PACKING
655	from 250 to 400	400 prs
655	from 450 to 600	320 prs
6557 PUSH	from 250 to 400	400 prs
6557 PUSH	from 450 to 600	320 prs
6555 SMOVE	from 270 to 400	300 prs
6555 SMOVE	from 450 to 600	280 prs

1 0 750 00 010 1 0 0



Futura with 3 way adjustable clip.
Packing = 100 pairs

Pin version

Industrial packing

Box = 20 pairs

Pallet = see the table



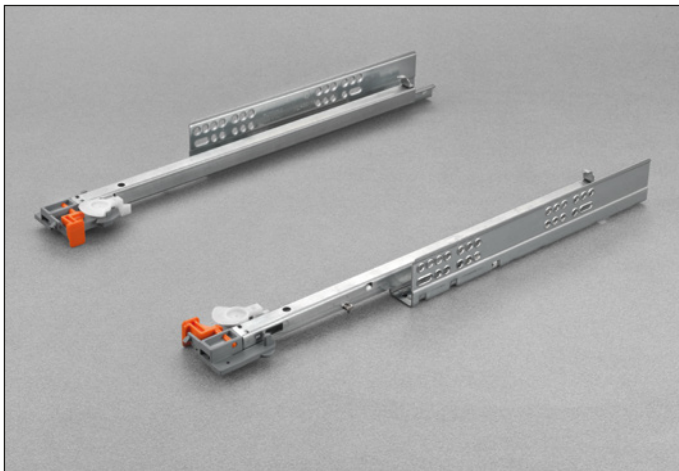
PART-EXTENSION		
ARTICLE	LENGTH	PACKING
612	from 250 to 400	400 prs
612	from 450 to 600	320 prs
6127 PUSH	from 250 to 400	400 prs
6127 PUSH	from 450 to 600	320 prs
6125 SMOVE	from 270 to 400	400 prs
6125 SMOVE	from 450 to 600	320 prs

FULL EXTENSION		
ARTICLE	LENGTH	PACKING
652	from 250 to 400	300 prs
652	from 450 to 600	280 prs
6527 PUSH	from 250 to 400	300 prs
6527 PUSH	from 450 to 600	280 prs
6525 SMOVE	from 270 to 400	300 prs
6525 SMOVE	from 450 to 600	280 prs

Futura Self-closing



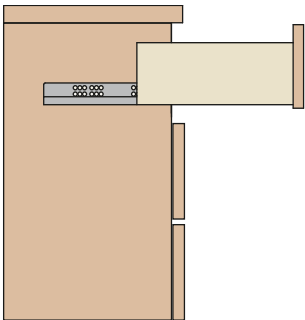
Futura Self-closing 612 - Concealed runner



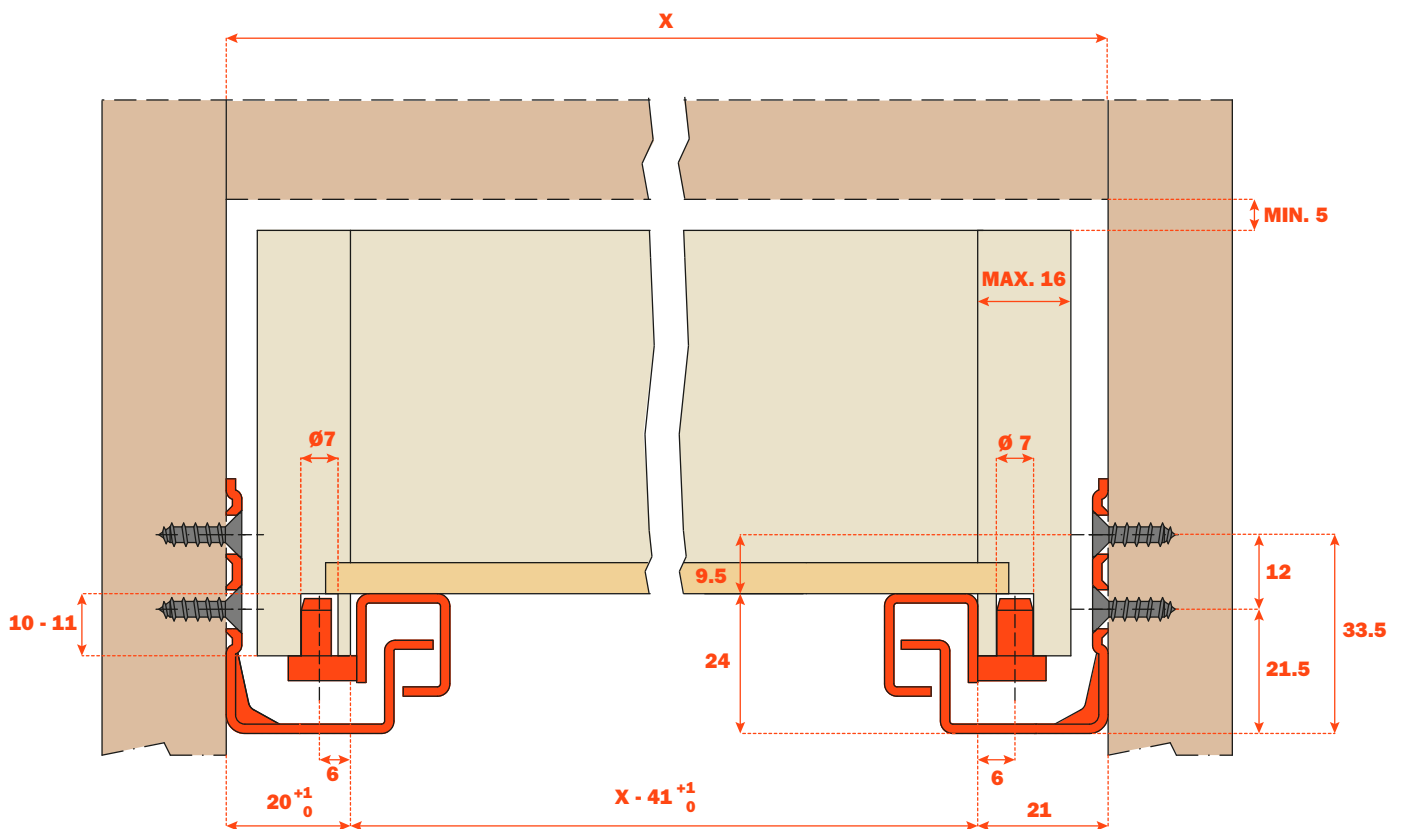
Part-extension runner fixed to the drawer by pin-fix clip.

Product features

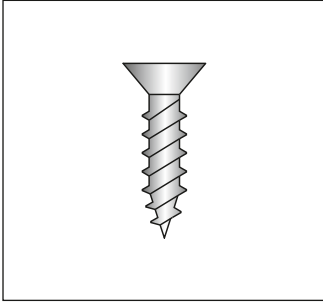
- Dynamic load capacity N 294 (Kg 30).
- Self-closing device on drawer.
- Safety system that prevents the drawers from turning over.
- Drawer height adjustment +3 mm.
- The drawer is maintained parallel with the cabinet side during opening.
- Drawer fixing without screws.
- Compatible with ART. 652.
- Finish: bright zinc-plated.



Dimensions



Part number

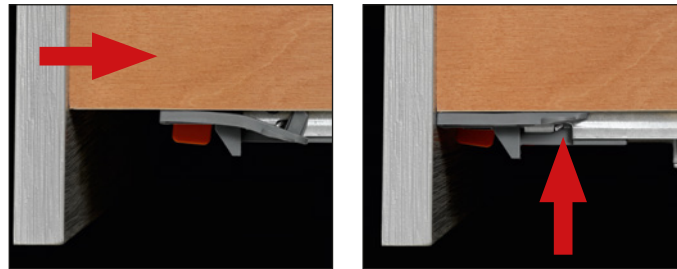


To be screw fixed
Screw TSP \varnothing 3,5 mm

BASIC PART NUMBER	RUNNER LENGTH (LN)	=	MIN. DEPTH OF THE CABINET (PM)
1 0 612 00 250 2 0 0	250		250
1 0 612 00 270 2 0 0	270		270
1 0 612 00 300 2 0 0	300		300
1 0 612 00 350 2 0 0	350		350
1 0 612 00 400 2 0 0	400		400
1 0 612 00 450 2 0 0	450		450
1 0 612 00 470 2 0 0	470		470
1 0 612 00 500 2 0 0	500		500
1 0 612 00 550 2 0 0	550		550
1 0 612 00 600 2 0 0	600		600

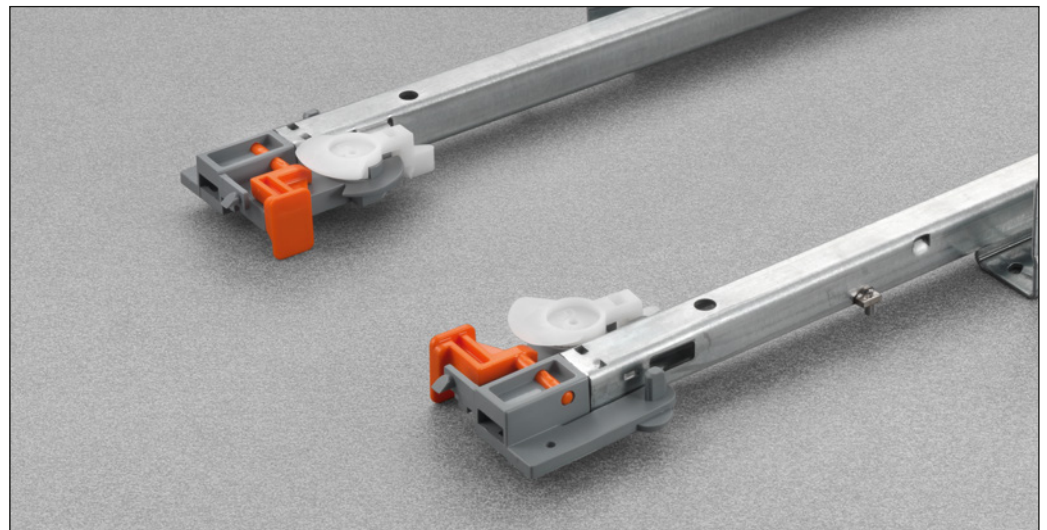
Fixing the drawer onto the runners

The flexibility of the system enables the locating pin to be engaged simply by placing the drawer onto the runners and closing it.



Detail of the pin-fix clip premounted on the runner, with:

- Tool free height adjustment;
- Safety device to prevent the drawers from turning over;
- Locating pin.

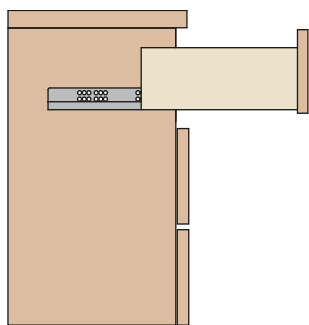




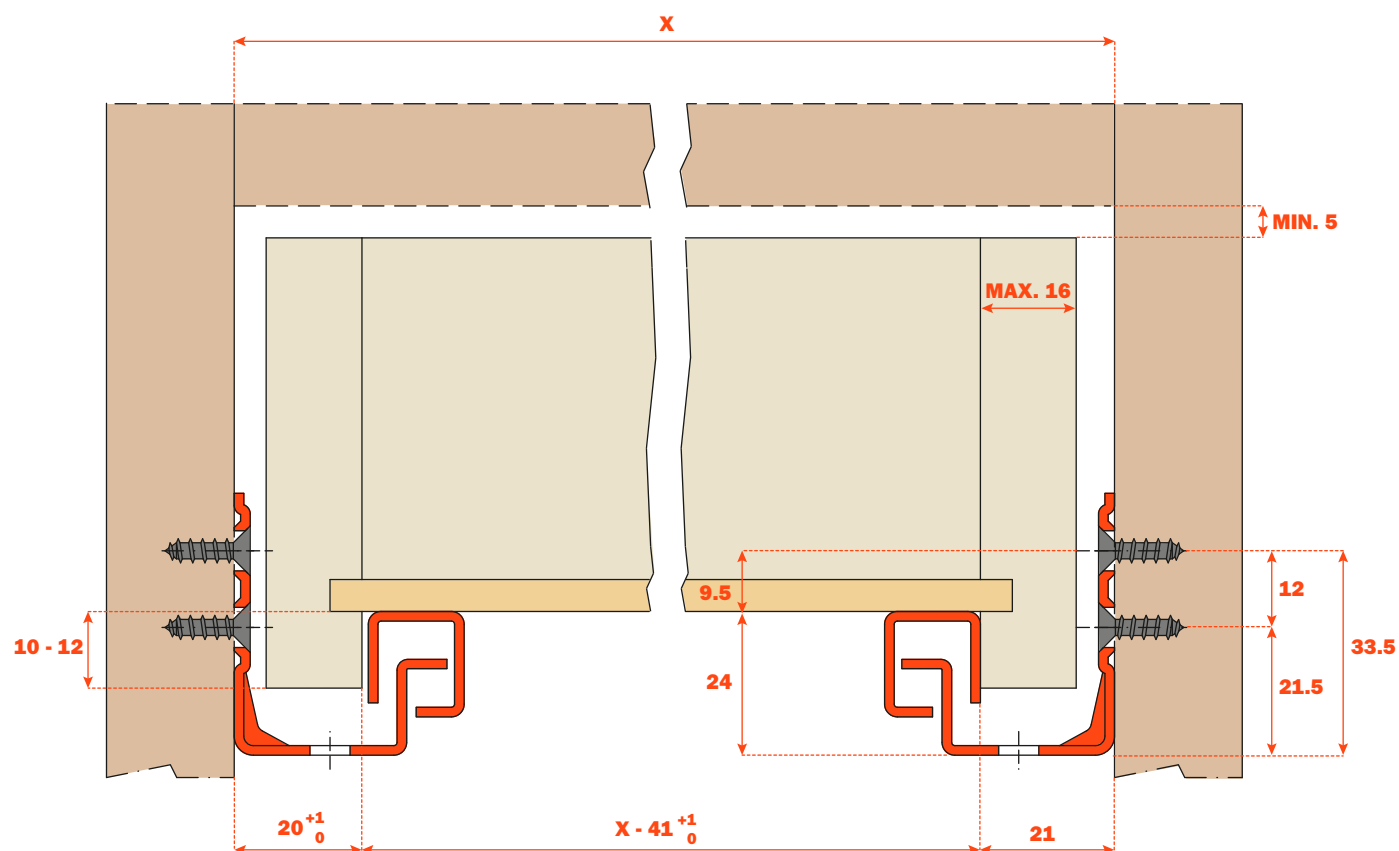
Part-extension runner fixed to the drawer by clip.

Product features

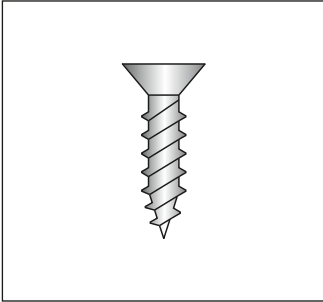
- Dynamic load capacity N 294 (Kg 30).
- Self-closing device on drawer.
- Safety system that prevents the drawers from turning over.
- Drawer height adjustment +2,5 mm.
- The drawer is maintained parallel with the cabinet side during opening.
- Compatible with ART. 655.
- Finish: bright zinc-plated.



Dimensions



Part number



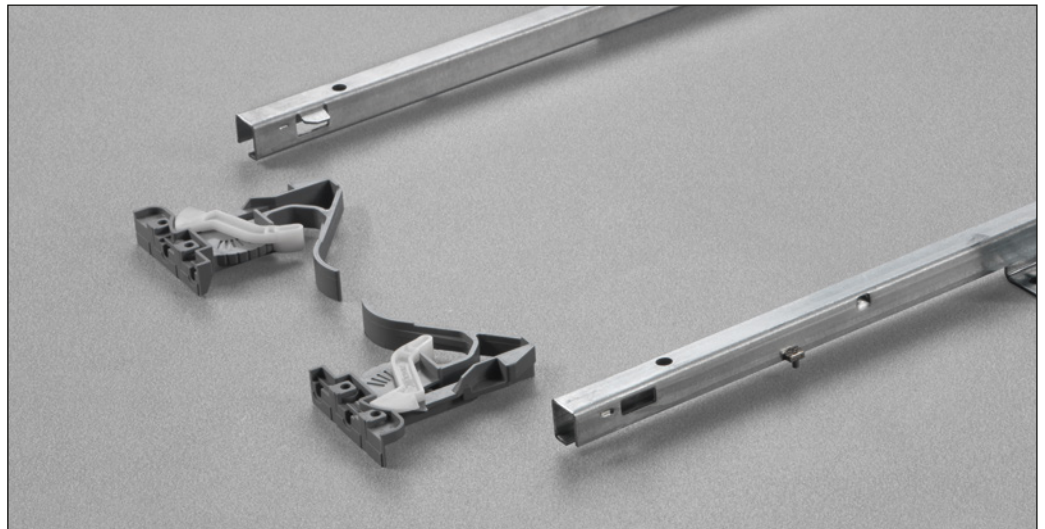
To be screw fixed
Screw TSP \varnothing 3,5 mm

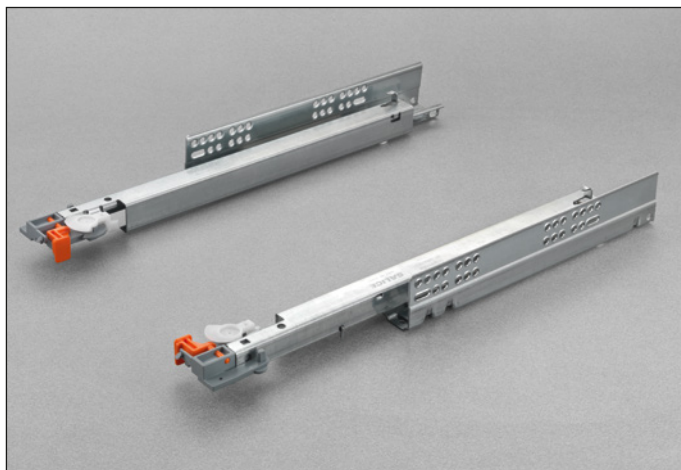
BASIC PART NUMBER	RUNNER LENGTH (LN)	=	MIN. DEPTH OF THE CABINET (PM)
1 0 615 00 250 2 0 0	250		250
1 0 615 00 270 2 0 0	270		270
1 0 615 00 300 2 0 0	300		300
1 0 615 00 350 2 0 0	350		350
1 0 615 00 400 2 0 0	400		400
1 0 615 00 450 2 0 0	450		450
1 0 615 00 470 2 0 0	470		470
1 0 615 00 500 2 0 0	500		500
1 0 615 00 550 2 0 0	550		550
1 0 615 00 600 2 0 0	600		600

Fixing the drawer onto the runners

Clip part number **1 0 710** 00 010 1 0 0

Detail of the clip with tool free integrated height adjustment.

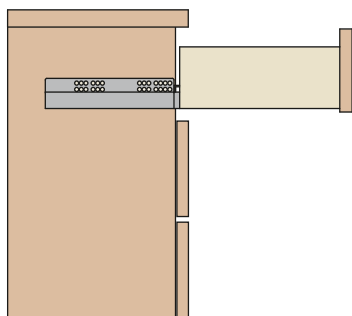




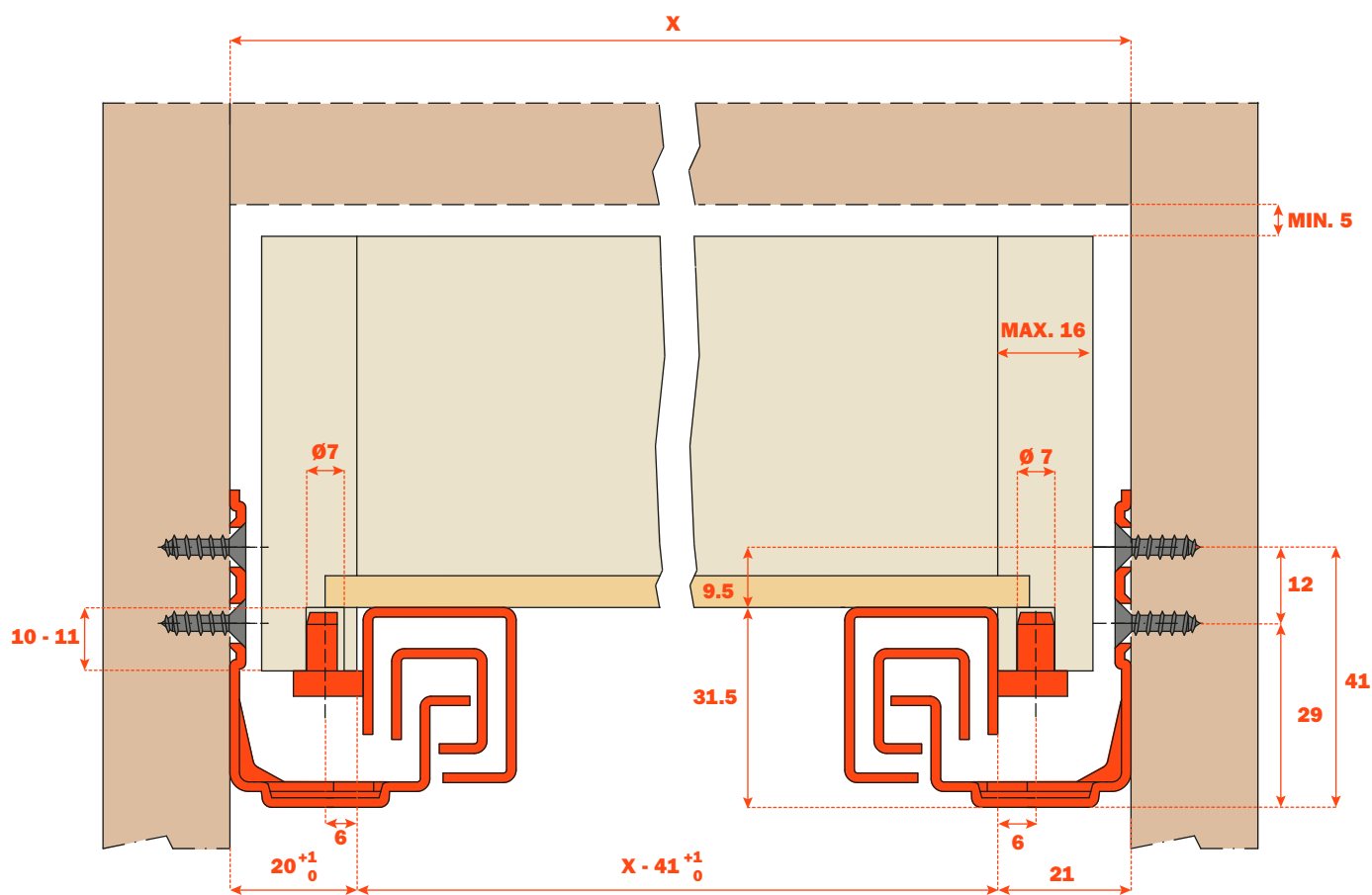
Full-extension runner fixed to the drawer by pin-fix clip.

Product features

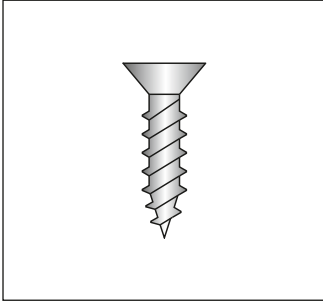
- Dynamic load capacity N 294 (Kg 30).
- Self-closing device on drawer.
- Safety system that prevents the drawers from turning over.
- Drawer height adjustment +3 mm.
- The drawer is maintained parallel with the cabinet side during opening.
- Drawer fixing without screws.
- Compatible with ART. 612.
- Finish: bright zinc-plated.



Dimensions



Part number

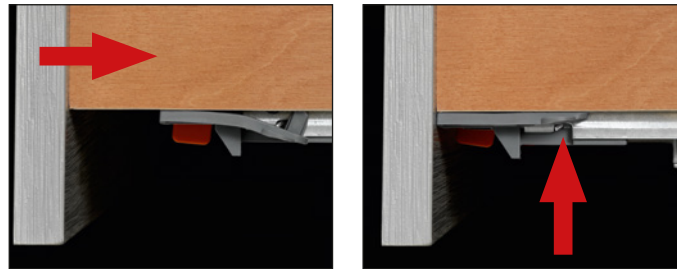


To be screw fixed
Screw TSP \varnothing 3,5 mm

BASIC PART NUMBER	RUNNER LENGTH (LN)	=	MIN. DEPTH OF THE CABINET (PM)
1 0 652 00 250 2 0 0	250		260
1 0 652 00 270 2 0 0	270		280
1 0 652 00 300 2 0 0	300		310
1 0 652 00 350 2 0 0	350		360
1 0 652 00 400 2 0 0	400		410
1 0 652 00 450 2 0 0	450		460
1 0 652 00 470 2 0 0	470		480
1 0 652 00 500 2 0 0	500		510
1 0 652 00 550 2 0 0	550		555
1 0 652 00 600 2 0 0	600		605

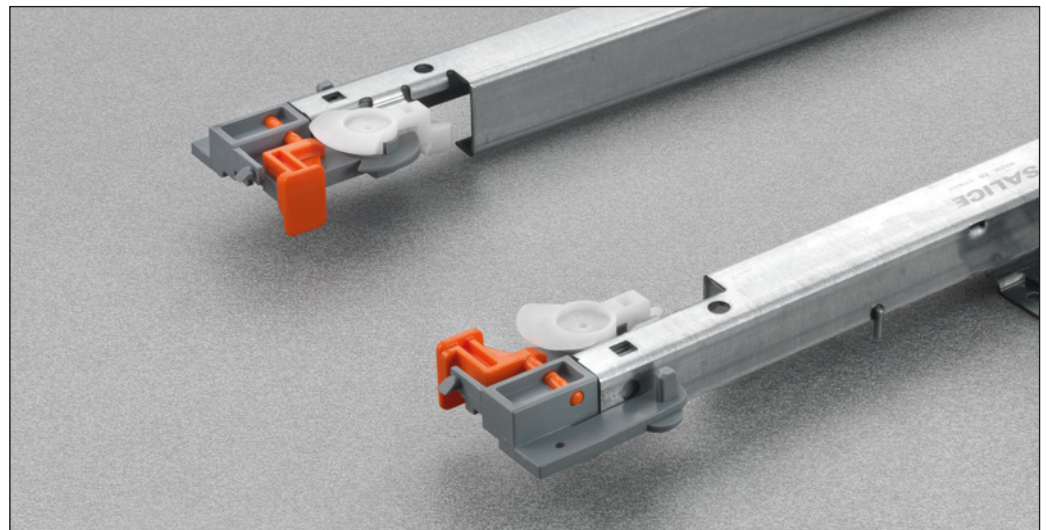
Fixing the drawer onto the runners

The flexibility of the system enables the locating pin to be engaged simply by placing the drawer onto the runners and closing it.



Detail of the pin-fix clip premounted on the runner, with:

- Tool free height adjustment;
- Safety device to prevent the drawers from turning over;
- Locating pin.

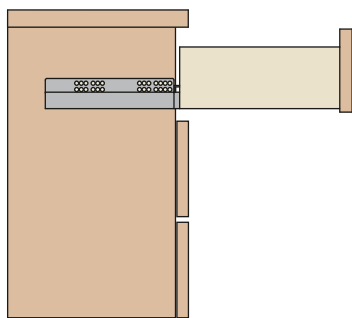




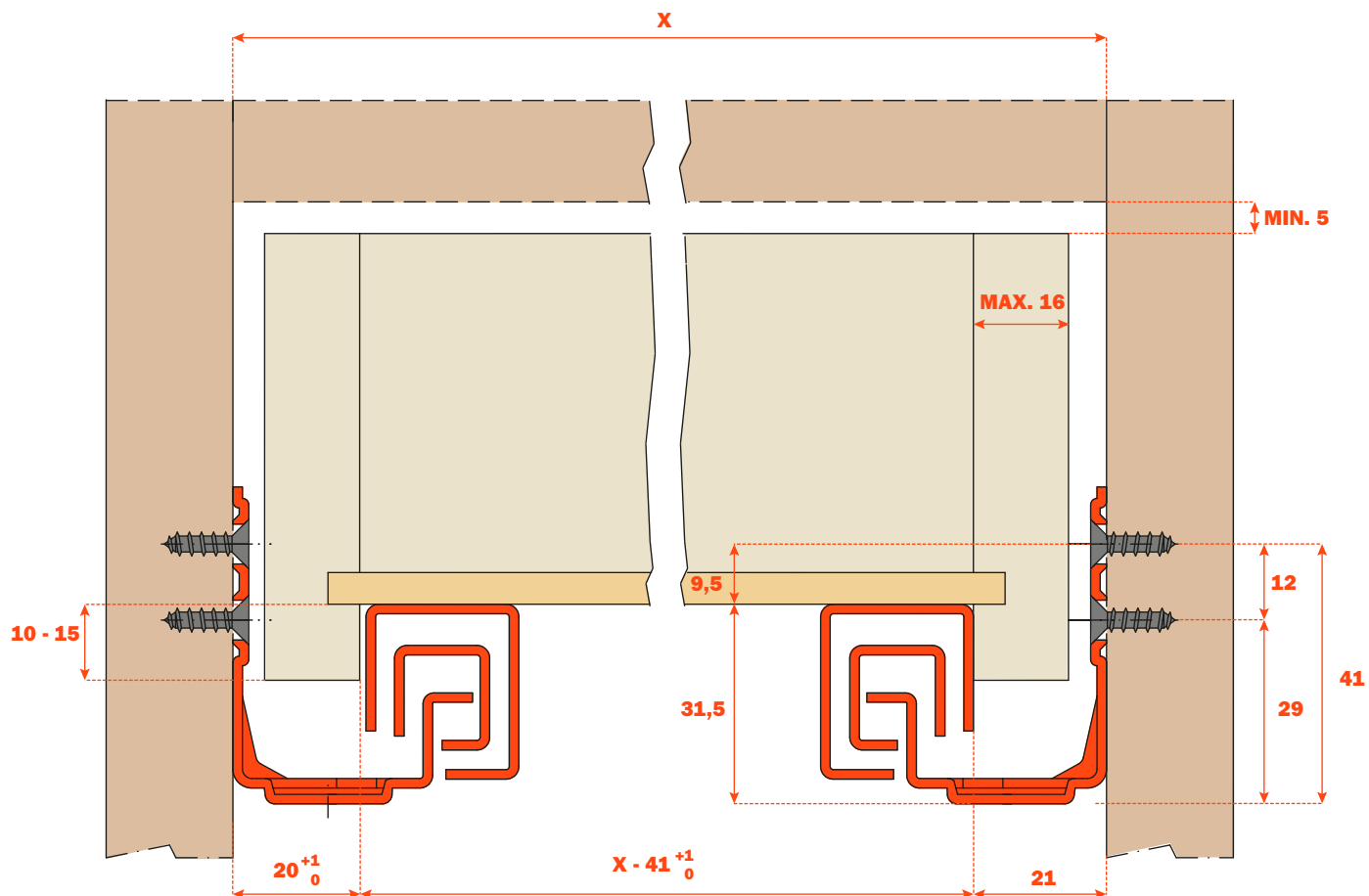
Full-extension runner fixed to the drawer by clip.

Product features

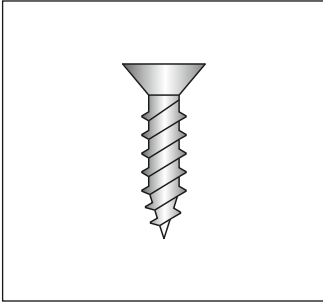
- Dynamic load capacity N 294 (Kg 30).
- Self-closing device on drawer.
- Safety system that prevents the drawers from turning over.
- Drawer height adjustment +2.5 mm with clip 10 710.
- Drawer height adjustment +2.5, side adjustment ± 1.5 mm, depth adjustment ± 2 mm with clip 10 750.
- The drawer is maintained parallel with the cabinet side during opening.
- Compatible with ART. 615.
- Finish: bright zinc-plated.



Dimensions



Part number



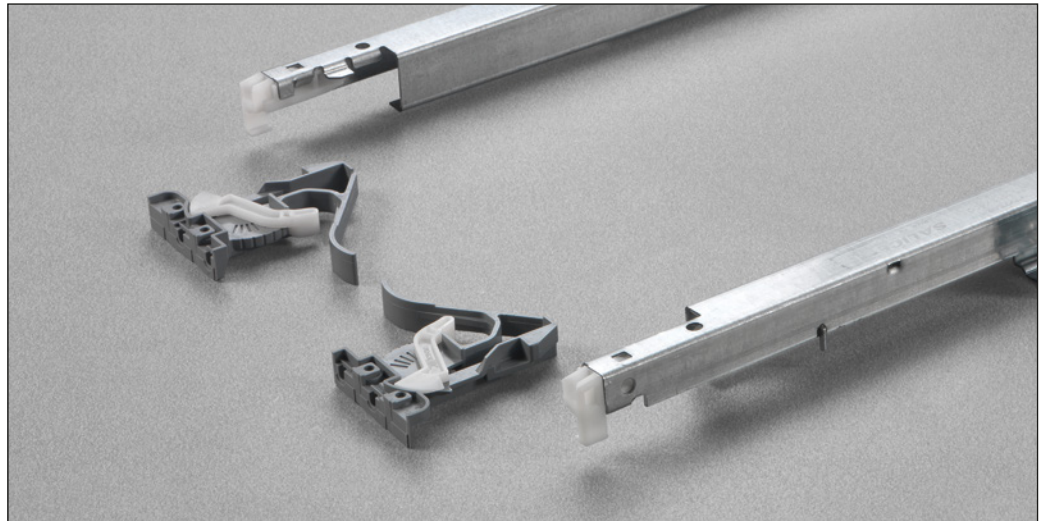
To be screw fixed
Screw TSP \varnothing 3,5 mm

BASIC PART NUMBER	RUNNER LENGTH (LN)	=	MIN. DEPTH OF THE CABINET (PM)
1 0 655 00 250 2 0 0	250		260
1 0 655 00 270 2 0 0	270		280
1 0 655 00 300 2 0 0	300		310
1 0 655 00 350 2 0 0	350		360
1 0 655 00 400 2 0 0	400		410
1 0 655 00 450 2 0 0	450		460
1 0 655 00 470 2 0 0	470		480
1 0 655 00 500 2 0 0	500		510
1 0 655 00 550 2 0 0	550		555
1 0 655 00 600 2 0 0	600		605

Fixing the drawer onto the runners

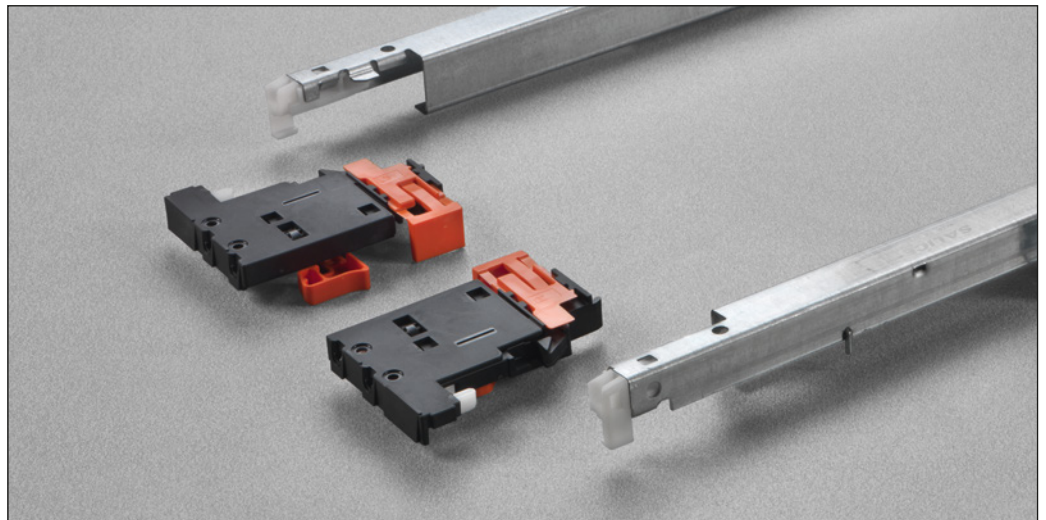
Clip part number 1 0 710 00 010 1 0 0

Detail of the clip with tool free integrated height adjustment.



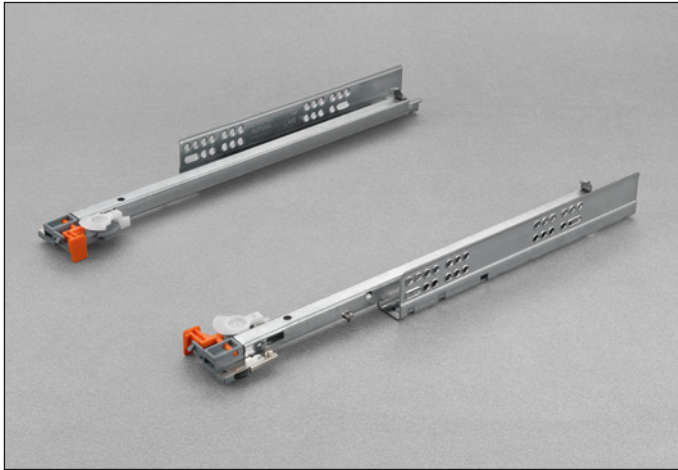
Clip part number 1 0 750 00 010 1 0 0

Detail of the tool free integrated 3-way adjustment clip (height, depth and side adjustment).



Futura Push





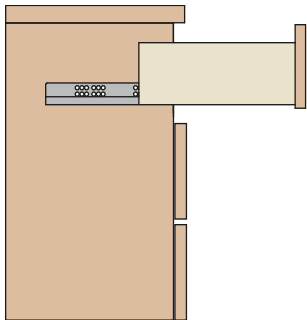
Part-extension runner fixed to the drawer by pin-fix clip.

Push: the new opening system for handle-less drawers, is fully integrated in the runner.

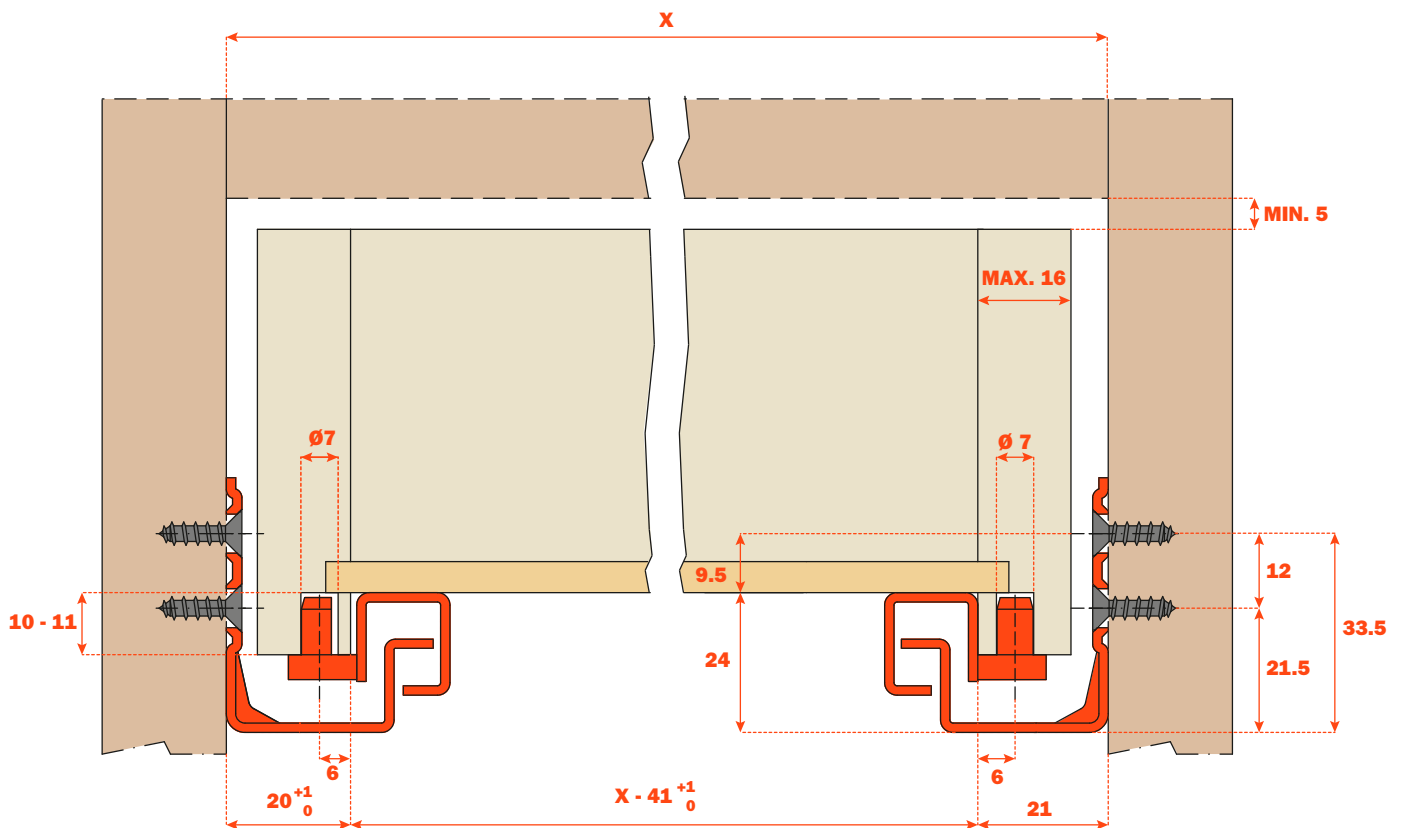
A slight pressure of the drawer frontal is sufficient for the drawer to self-open.

Product features

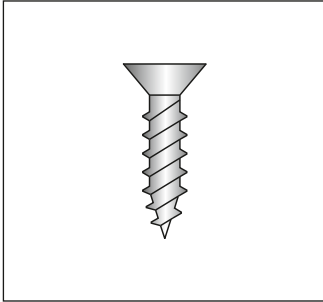
- Dynamic load capacity N 294 (Kg 30).
- Push opening system.
- Safety system that prevents the drawers from turning over.
- Drawer height adjustment +3 mm.
- Drawer depth adjustment ± 2 mm.
- The drawer is maintained parallel with the cabinet side during opening.
- Drawer fixing without screws.
- The drawer is held in the closed.
- Compatible with ART. 6527.
- Finish: bright zinc-plated.



Dimensions



Part number

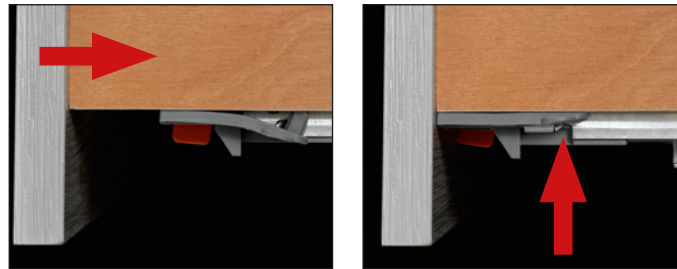


To be screw fixed
Screw TSP \varnothing 3,5 mm

BASIC PART NUMBER	RUNNER LENGTH (LN)	=	MIN. DEPTH OF THE CABINET (PM)
1 0 612 70 250 2 0 0	250		250
1 0 612 70 270 2 0 0	270		270
1 0 612 70 300 2 0 0	300		300
1 0 612 70 350 2 0 0	350		350
1 0 612 70 400 2 0 0	400		400
1 0 612 70 450 2 0 0	450		450
1 0 612 70 470 2 0 0	470		470
1 0 612 70 500 2 0 0	500		500
1 0 612 70 550 2 0 0	550		550
1 0 612 70 600 2 0 0	600		600

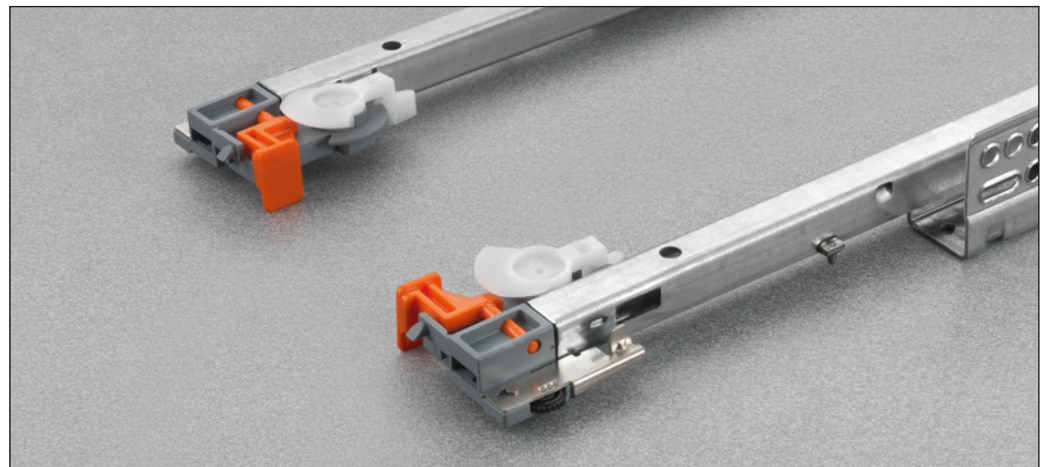
Fixing the drawer onto the runners

The flexibility of the system enables the locating pin to be engaged simply by placing the drawer onto the runners and closing it.

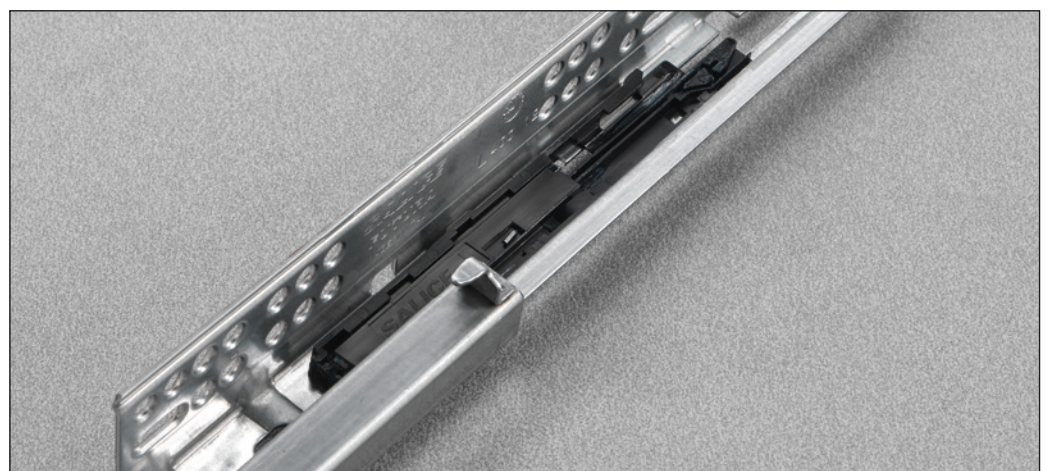


Detail of the pin-fix clip premounted on the runner, with:

- Tool free height and depth adjustment;
- Safety device to prevent the drawers from turning over;
- Locating pin.



Detail of the Push system integrated into the runner which allows the opening of handle-less drawers.





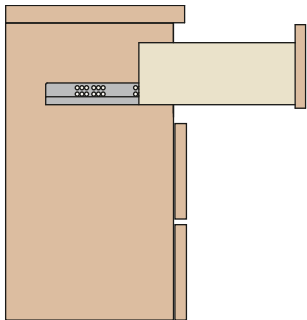
Part-extension runner fixed to the drawer by clip.

Push: the new opening system for handle-less drawers, is fully integrated in the runner.

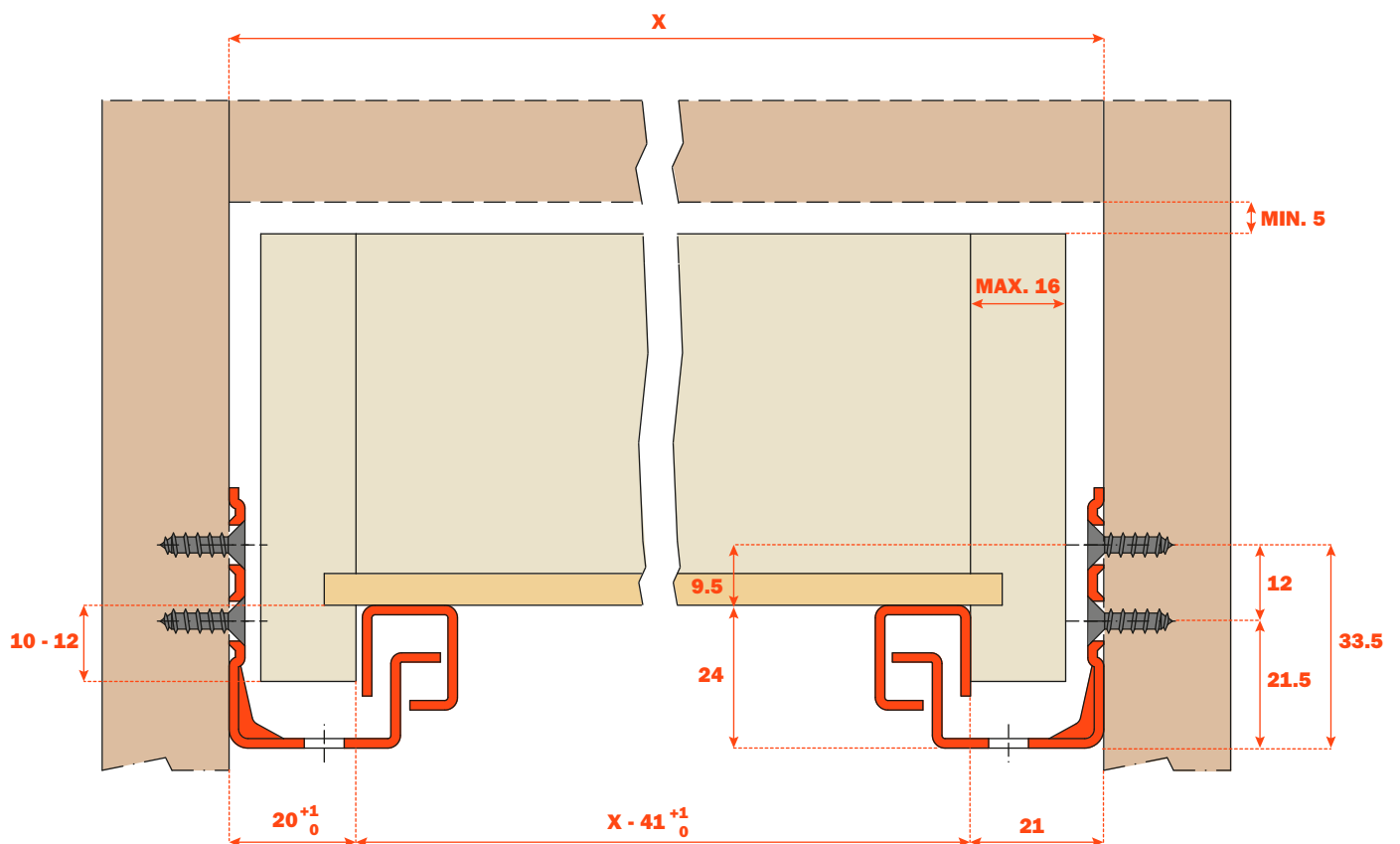
A slight pressure of the drawer frontal is sufficient for the drawer to self-open.

Product features

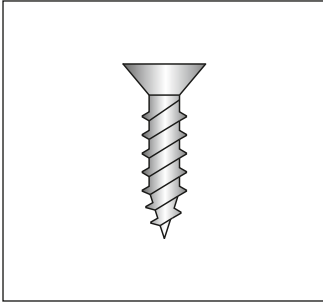
- Dynamic load capacity N 294 (Kg 30).
- With Push opening system.
- Safety system that prevents the drawers from turning over.
- Drawer height adjustment +2,5 mm.
- The drawer is maintained parallel with the cabinet side during opening.
- The drawer is held in the closed position.
- Compatible with ART. 6557.
- Finish: bright zinc-plated.



Dimensions



Part number



To be screw fixed
Screw TSP \varnothing 3,5 mm

BASIC PART NUMBER	RUNNER LENGTH (LN)	=	MIN. DEPTH OF THE CABINET (PM)
1 0 615 70 250 2 0 0	250		250
1 0 615 70 270 2 0 0	270		270
1 0 615 70 300 2 0 0	300		300
1 0 615 70 350 2 0 0	350		350
1 0 615 70 400 2 0 0	400		400
1 0 615 70 450 2 0 0	450		450
1 0 615 70 470 2 0 0	470		470
1 0 615 70 500 2 0 0	500		500
1 0 615 70 550 2 0 0	550		550
1 0 615 70 600 2 0 0	600		600

Fixing the drawer onto the runners

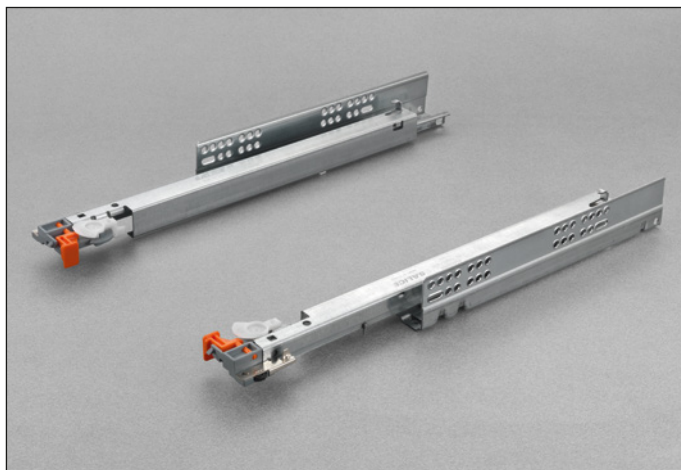
Clip part number **1 0 710 00 010 1 0 0**

Detail of the clip with tool free integrated height adjustment.



Detail of the Push system integrated into the runner which allows the opening of handle-less drawers.





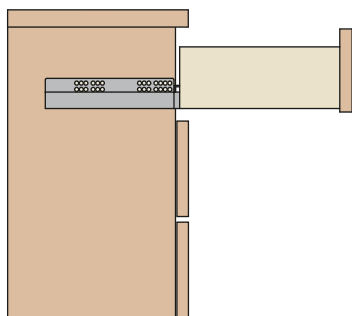
Full-extension runner fixed to the drawer by pin-fix clip.

Push: the new opening system for handle-less drawers, is fully integrated in the runner.

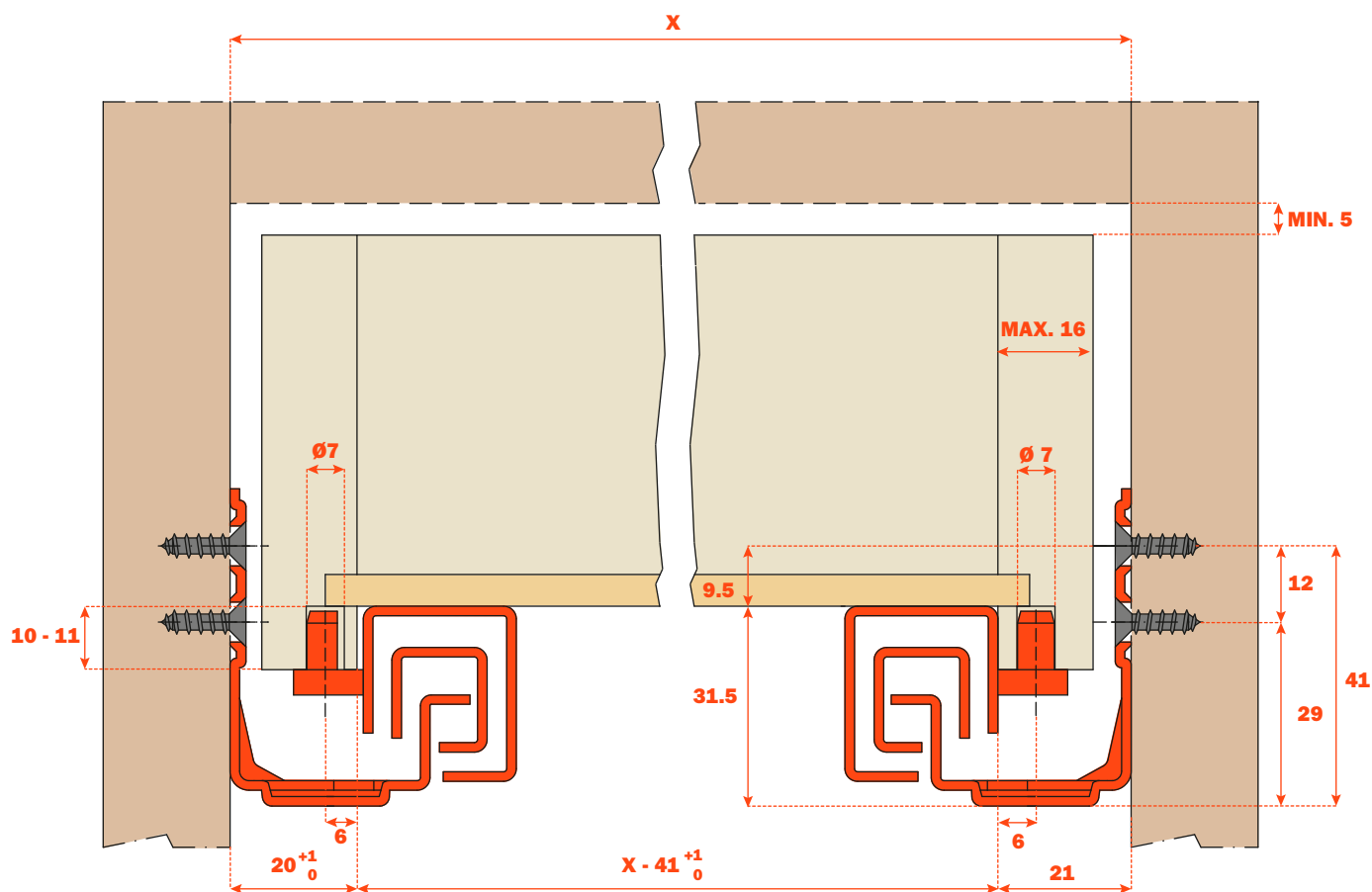
A slight pressure of the drawer frontal is sufficient for the drawer to self-open.

Product features

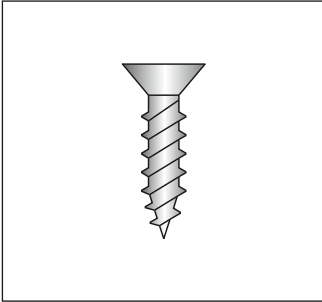
- Dynamic load capacity N 294 (Kg 30).
- Push opening system.
- Safety system that prevents the drawers from turning over.
- Drawer height adjustment +3 mm.
- Drawer depth adjustment ± 2 mm.
- The drawer is maintained parallel with the cabinet side during opening.
- Drawer fixing without screws.
- The drawer is held in the closed position and requires positive effort to open it.
- Compatible with ART. 6127.
- Finish: bright zinc-plated.



Dimensions



Part number

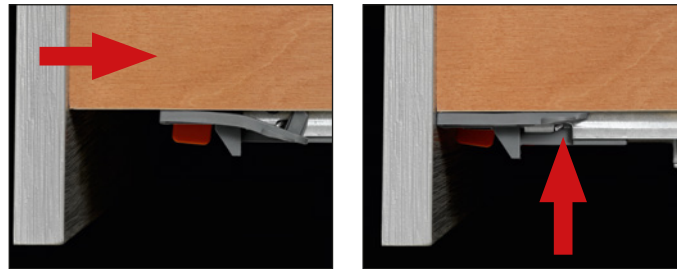


To be screw fixed
Screw TSP \varnothing 3,5 mm

BASIC PART NUMBER	RUNNER LENGTH (LN)	=	MIN. DEPTH OF THE CABINET (PM)
1 0 652 70 250 2 0 0	250		260
1 0 652 70 270 2 0 0	270		280
1 0 652 70 300 2 0 0	300		310
1 0 652 70 350 2 0 0	350		360
1 0 652 70 400 2 0 0	400		410
1 0 652 70 450 2 0 0	450		460
1 0 652 70 470 2 0 0	470		480
1 0 652 70 500 2 0 0	500		510
1 0 652 70 550 2 0 0	550		555
1 0 652 70 600 2 0 0	600		605

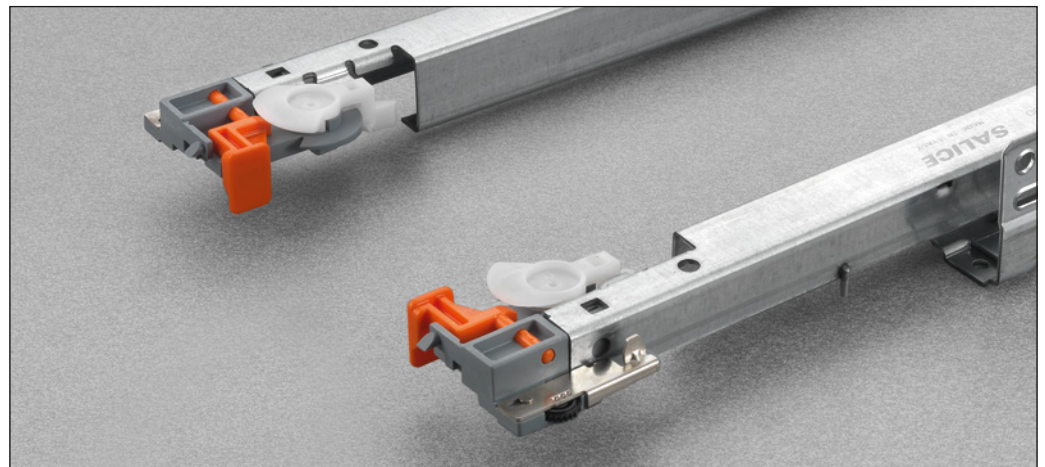
Fixing the drawer onto the runners

The flexibility of the system enables the locating pin to be engaged simply by placing the drawer onto the runners and closing it.

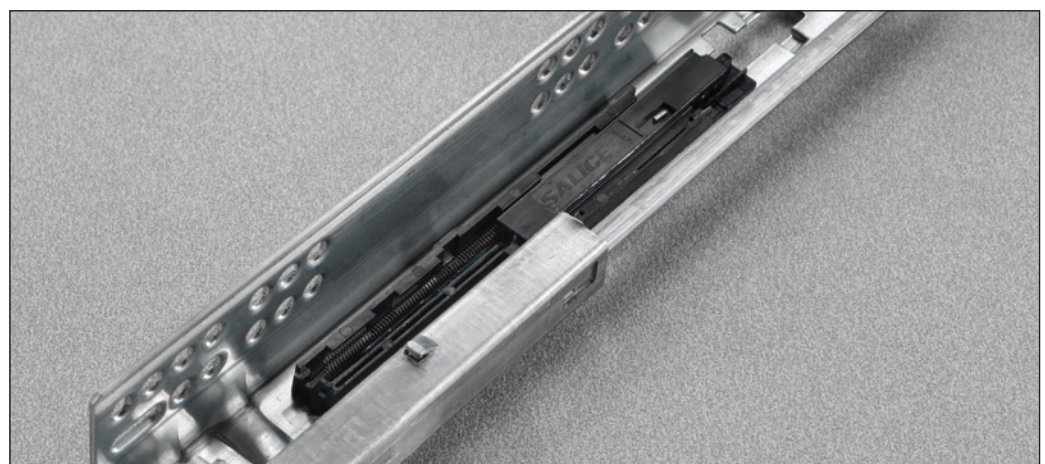


Detail of the pin-fix clip premounted on the runner, with:

- Tool free height and depth adjustment;
- Safety device to prevent the drawers from turning over;
- Locating pin.



Detail of the Push system integrated into the runner which allows the opening of handle-less drawers.





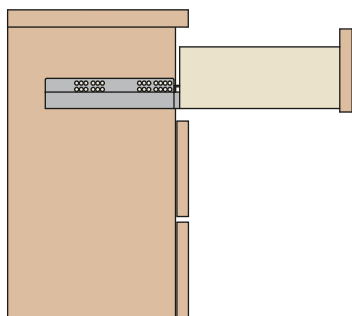
Full-extension runner fixed to the drawer by clip.

Push: the new opening system for handle-less drawers, is fully integrated in the runner.

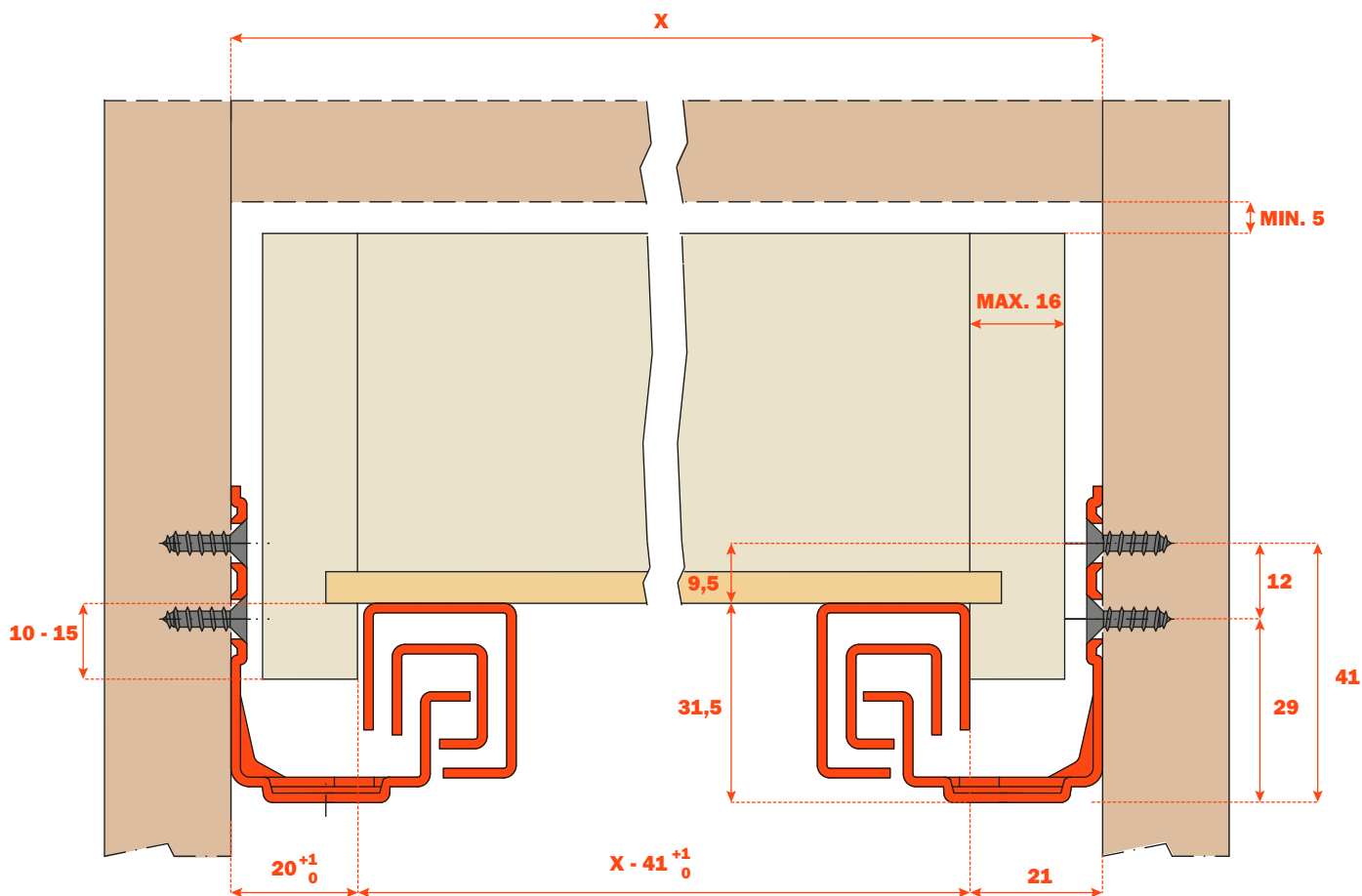
A slight pressure of the drawer frontal is sufficient for the drawer to self-open.

Product features

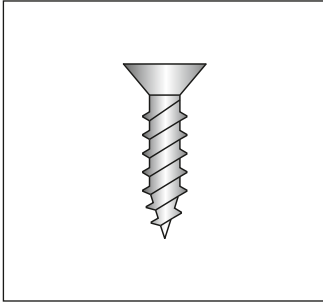
- Dynamic load capacity N 294 (Kg 30).
- Push opening system.
- Safety system that prevents the drawers from turning over.
- Drawer height adjustment +2.5 mm with clip 10 710.
- Drawer height adjustment +2.5 mm, side adjustment ± 1.5 mm depth adjustment ± 2 mm with clip 10 750.
- The drawer is maintained parallel with the cabinet side during opening.
- The drawer is held in the closed position.
- Compatible with ART. 6157.
- Finish: bright zinc-plated.



Dimensions



Part number



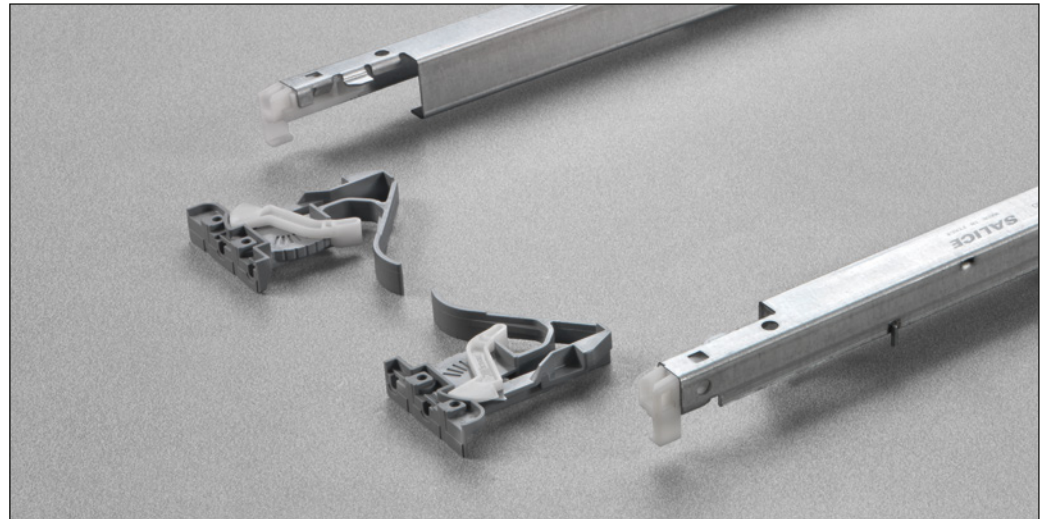
To be screw fixed
Screw TSP \varnothing 3,5 mm

BASIC PART NUMBER	RUNNER LENGTH (LN)	=	MIN. DEPTH OF THE CABINET (PM)
1 0 655 70 250 2 0 0	250		260
1 0 655 70 270 2 0 0	270		280
1 0 655 70 300 2 0 0	300		310
1 0 655 70 350 2 0 0	350		360
1 0 655 70 400 2 0 0	400		410
1 0 655 70 450 2 0 0	450		460
1 0 655 70 470 2 0 0	470		480
1 0 655 70 500 2 0 0	500		510
1 0 655 70 550 2 0 0	550		555
1 0 655 70 600 2 0 0	600		605

Fixing the drawer onto the runners

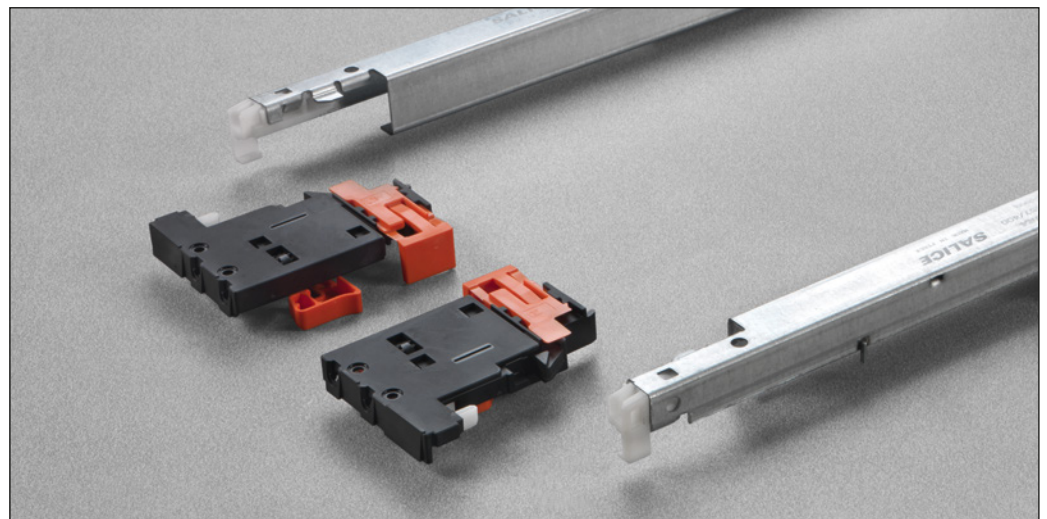
Clip part number **1 0 710** 00 010 1 0 0

Detail of the clip with tool free integrated height adjustment.



Clip part number **1 0 750** 00 010 1 0 0

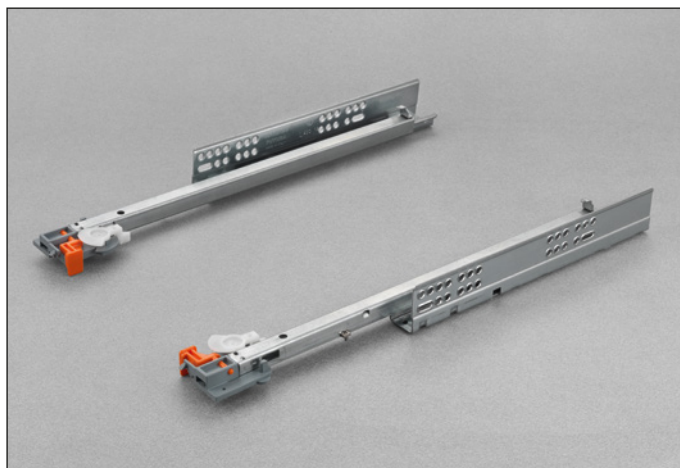
Detail of the tool free integrated 3-way adjustment clip (height, depth and side adjustment).



Futura Smove



Futura Smove 6125 - Concealed runner

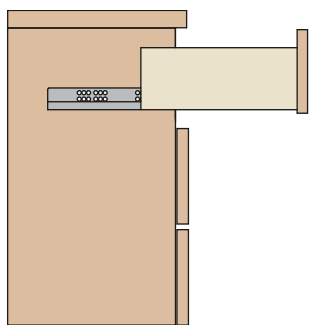


Part-extension runner fixed to the drawer by pin-fix clip.

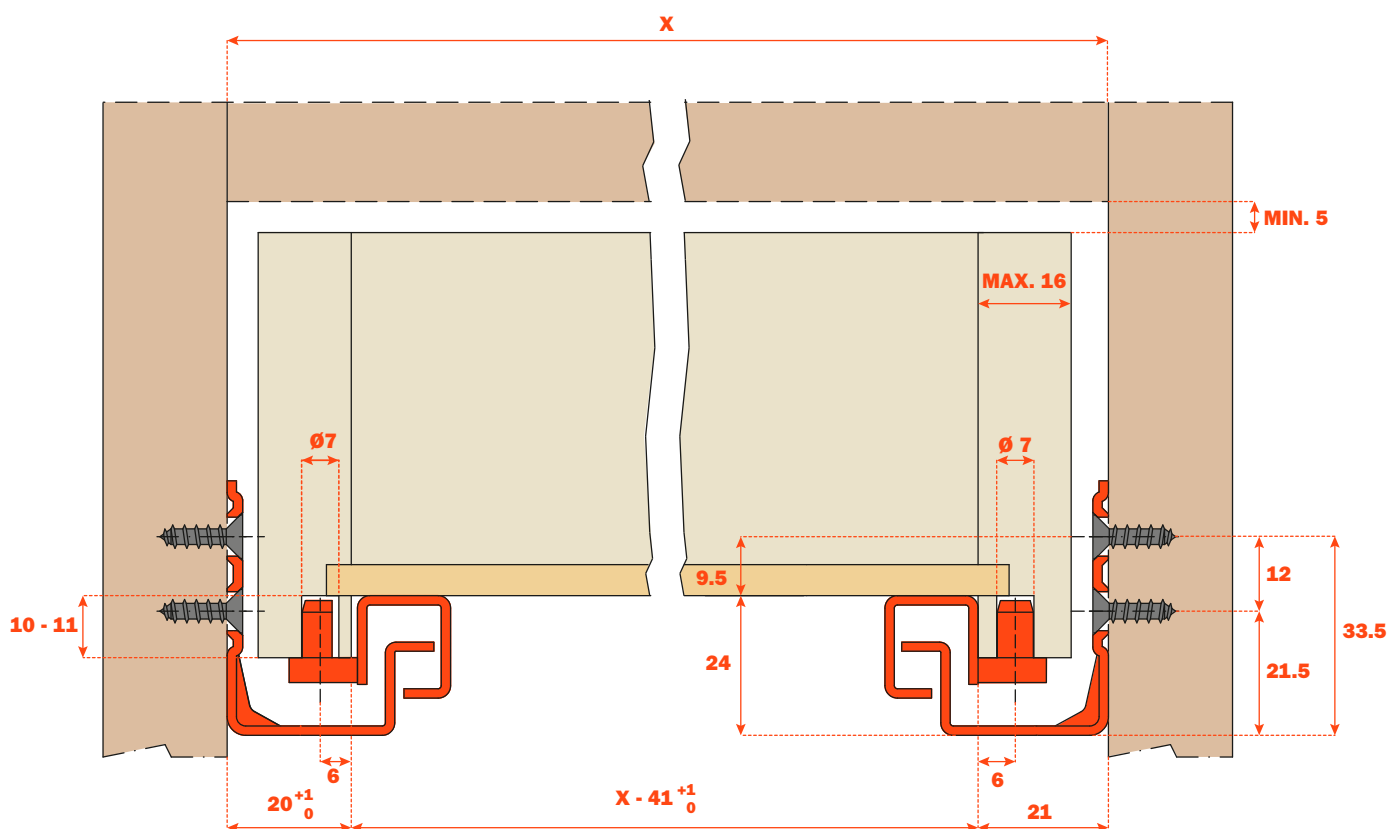
Smove: fully integrated in the runner, decelerates the closing action of the drawer.

Product features

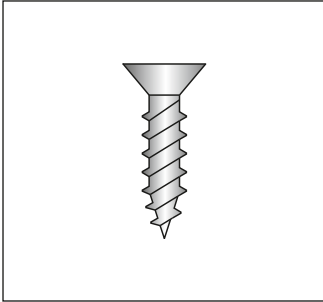
- Dynamic load capacity N 294 (Kg 30).
- Smove decelerated closing.
- Safety system that prevents the drawers from turning over.
- Drawer height adjustment +3 mm.
- The drawer is maintained parallel with the cabinet side during opening.
- Drawer fixing without screws.
- Compatible with ART. 6525.
- Finish: bright zinc-plated.



Dimensions



Part number

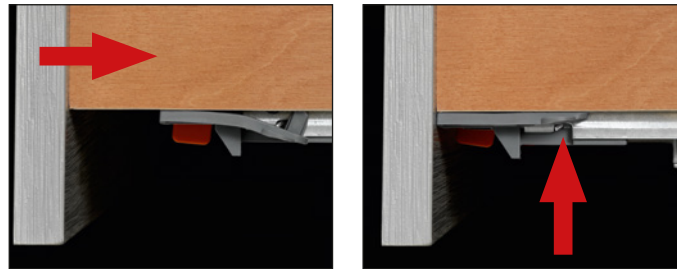


To be screw fixed
Screw TSP \varnothing 3,5 mm

BASIC PART NUMBER	RUNNER LENGTH (LN)	=	MIN. DEPTH OF THE CABINET (PM)
1 0 612 50 250 2 0 0	250		250
1 0 612 50 270 2 0 0	270		270
1 0 612 50 300 2 0 0	300		300
1 0 612 50 350 2 0 0	350		350
1 0 612 50 400 2 0 0	400		400
1 0 612 50 450 2 0 0	450		450
1 0 612 50 470 2 0 0	470		470
1 0 612 50 500 2 0 0	500		500
1 0 612 50 550 2 0 0	550		550
1 0 612 50 600 2 0 0	600		600

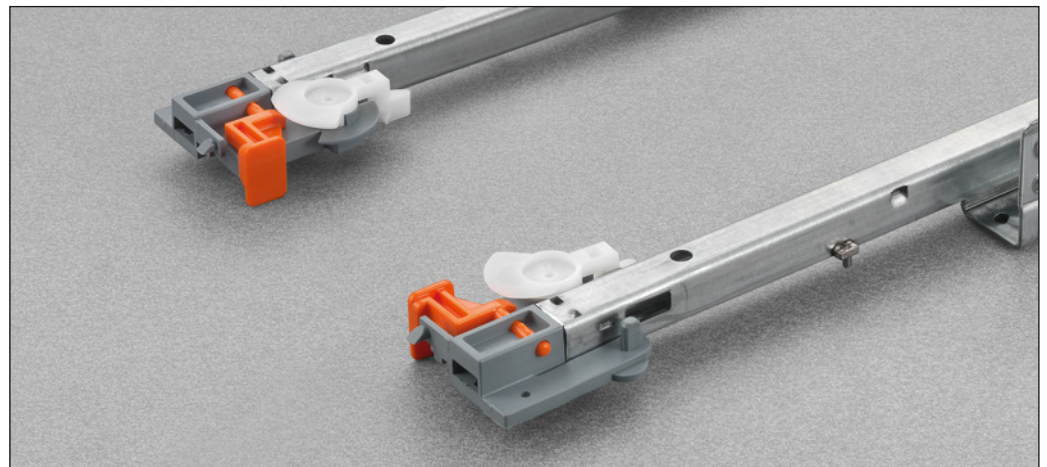
Fixing the drawer onto the runners

The flexibility of the system enables the locating pin to be engaged simply by placing the drawer onto the runners and closing it.



Detail of the pin-fix clip premounted on the runner, with:

- Tool free height adjustment;
- Safety device to prevent the drawers from turning over;
- Locating pin.



Detail of the Smove system integrated into the runner which allows the decelerated closing of the drawers.



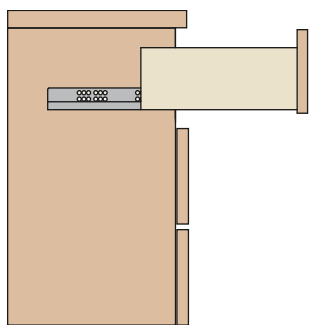


Part-extension runner fixed to the drawer by clip.

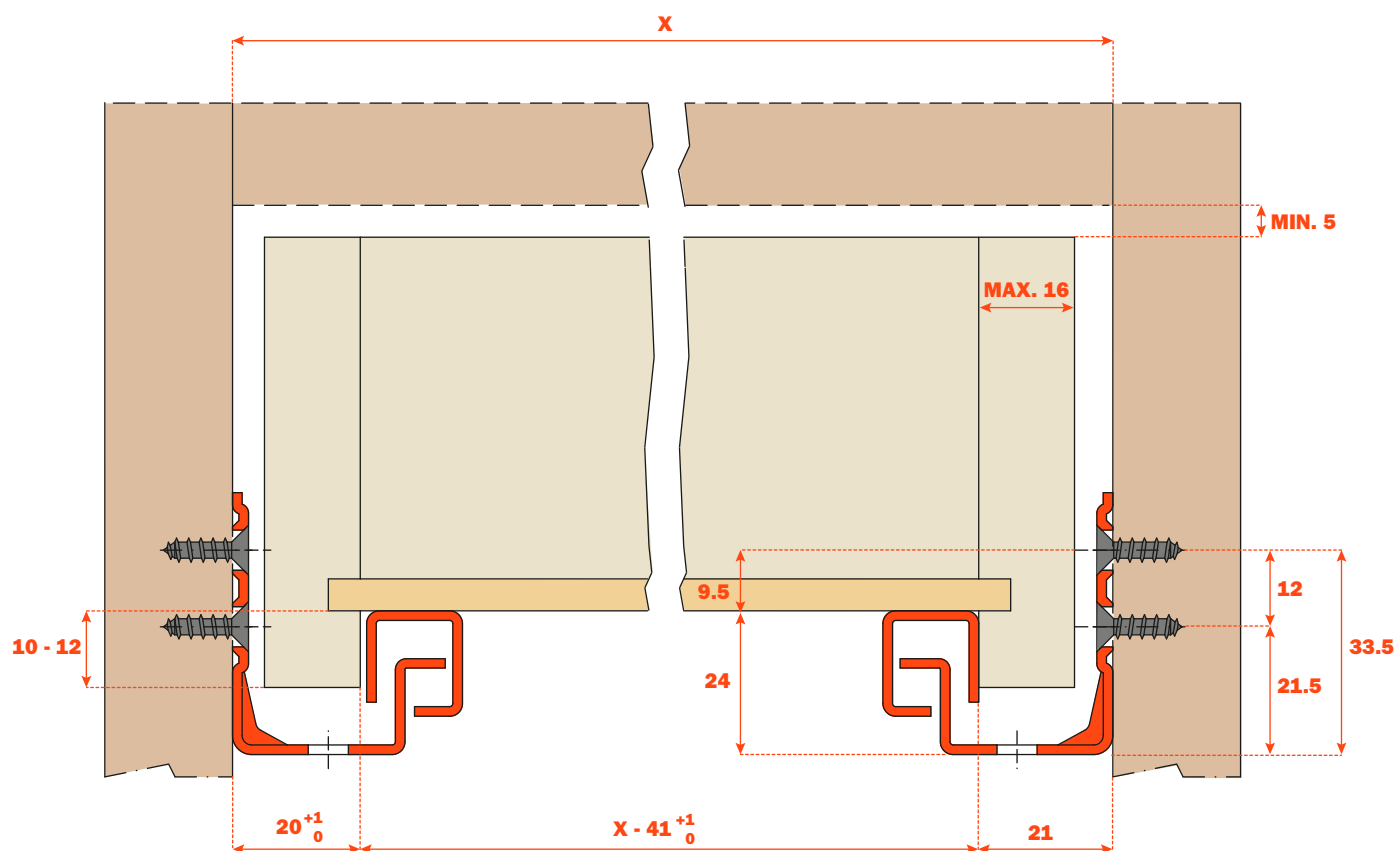
Smove: fully integrated in the runner, decelerates the closing action of the drawer.

Product features

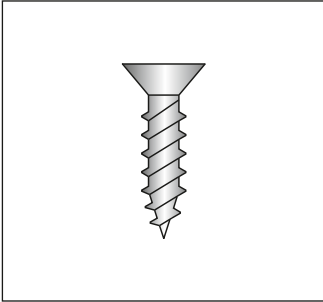
- Dynamic load capacity N 294 (Kg 30).
- Smove decelerated closing.
- Safety system that prevents the drawers from turning over.
- Drawer height adjustment +2,5 mm.
- The drawer is maintained parallel with the cabinet side during opening.
- Compatible with ART. 6555.
- Finish: bright zinc-plated.



Dimensions



Part number



To be screw fixed
Screw TSP \varnothing 3,5 mm

BASIC PART NUMBER	RUNNER LENGTH (LN)	=	MIN. DEPTH OF THE CABINET (PM)
1 0 615 50 250 2 0 0	250		250
1 0 615 50 270 2 0 0	270		270
1 0 615 50 300 2 0 0	300		300
1 0 615 50 350 2 0 0	350		350
1 0 615 50 400 2 0 0	400		400
1 0 615 50 450 2 0 0	450		450
1 0 615 50 470 2 0 0	470		470
1 0 615 50 500 2 0 0	500		500
1 0 615 50 550 2 0 0	550		550
1 0 615 50 600 2 0 0	600		600

Fixing the drawer onto the runners

Clip part number **1 0 710 00 010 1 0 0**

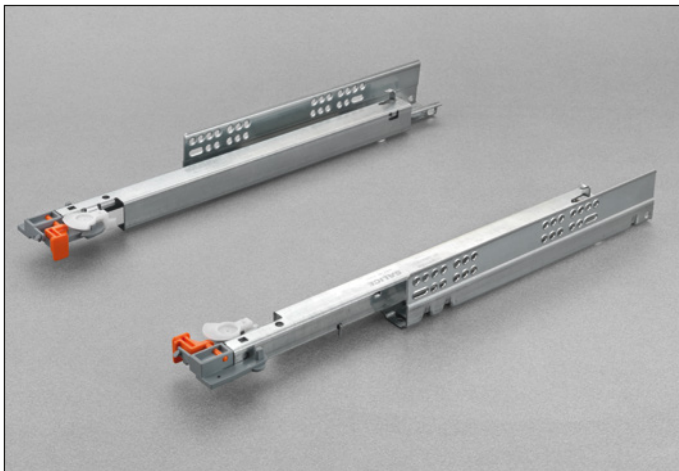
Detail of the clip with tool free integrated height adjustment.



Detail of the Smove system integrated into the runner which allows the decelerated closing of the drawers.



Futura Smove 6525 - Concealed runner

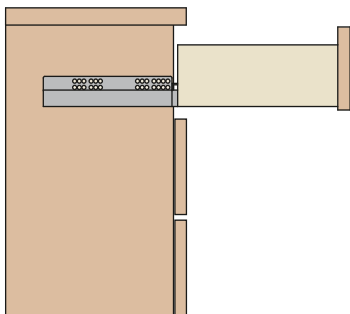


Full-extension runner fixed to the drawer by pin-fix clip.

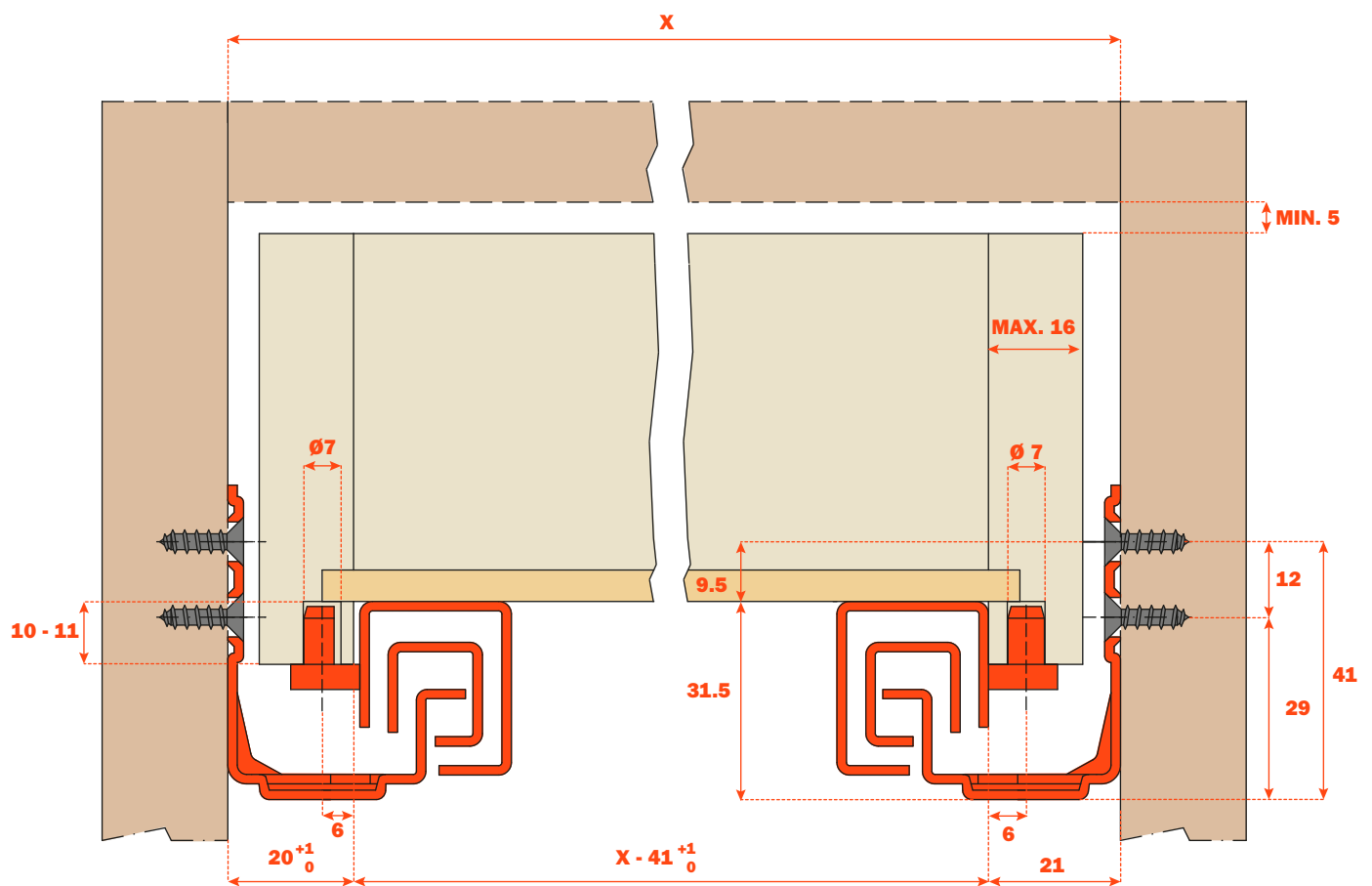
Smove: fully integrated in the runner, decelerates the closing action of the drawer.

Product features

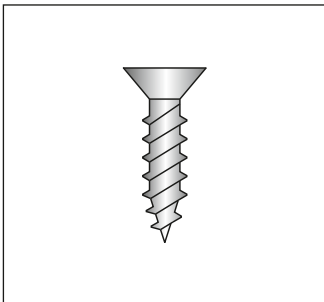
- Dynamic load capacity N 294 (Kg 30).
- Smove decelerated closing.
- Safety system that prevents the drawers from turning over.
- Drawer height adjustment +3 mm.
- The drawer is maintained parallel with the cabinet side during opening.
- Drawer fixing without screws.
- Compatible with ART. 6125.
- Finish: bright zinc-plated.



Dimensions



Part number

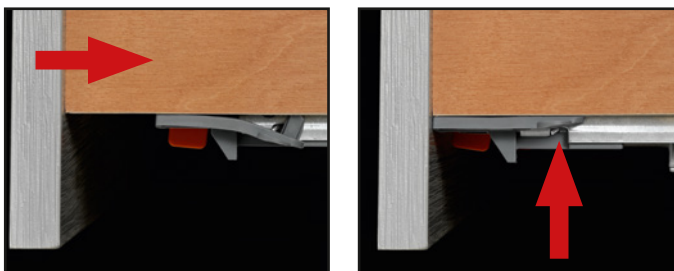


To be screw fixed
Screw TSP \varnothing 3,5 mm

BASIC PART NUMBER	RUNNER LENGTH (LN)	=	MIN. DEPTH OF THE CABINET (PM)
1 0 652 50 250 2 0 0	250		260
1 0 652 50 270 2 0 0	270		280
1 0 652 50 300 2 0 0	300		310
1 0 652 50 350 2 0 0	350		360
1 0 652 50 400 2 0 0	400		410
1 0 652 50 450 2 0 0	450		460
1 0 652 50 470 2 0 0	470		480
1 0 652 50 500 2 0 0	500		510
1 0 652 50 550 2 0 0	550		555
1 0 652 50 600 2 0 0	600		605

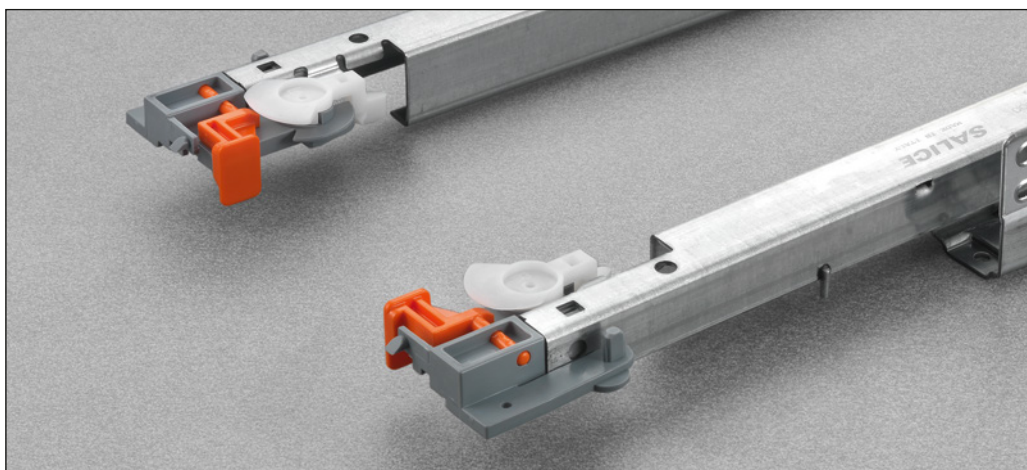
Fixing the drawer onto the runners

The flexibility of the system enables the locating pin to be engaged simply by placing the drawer onto the runners and closing it.

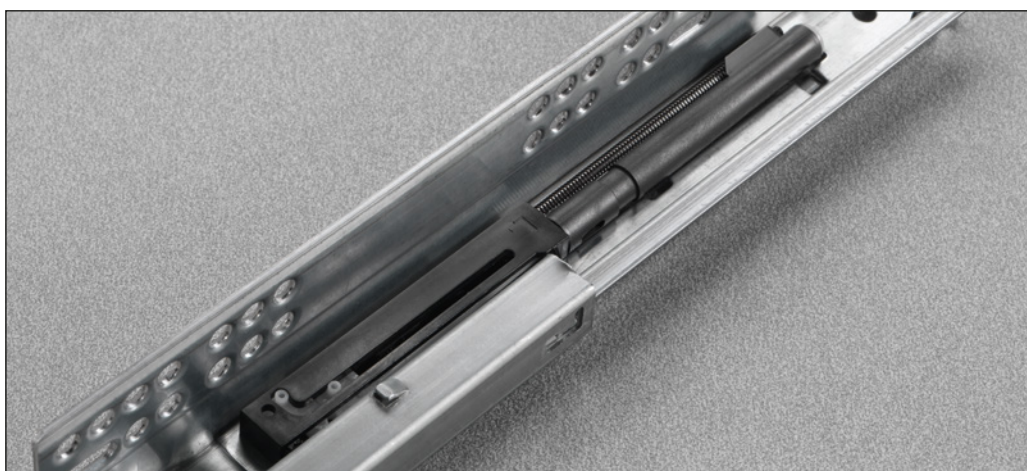


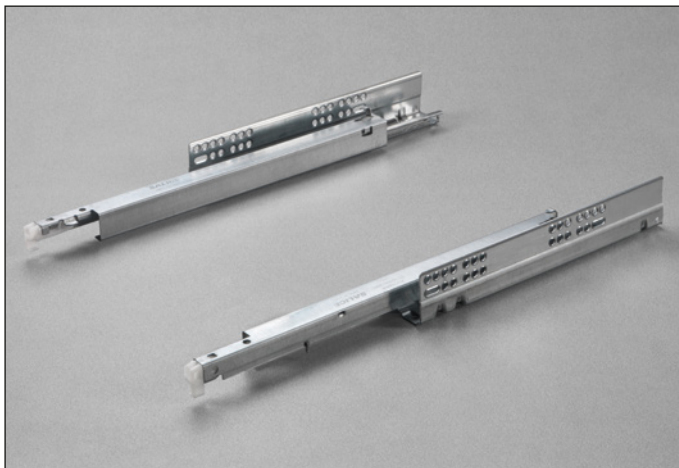
Detail of the pin-fix clip premounted on the runner, with:

- Tool free height adjustment;
- Safety device to prevent the drawers from turning over;
- Locating pin.



Detail of the Smove system integrated into the runner which allows the decelerated closing of the drawers.



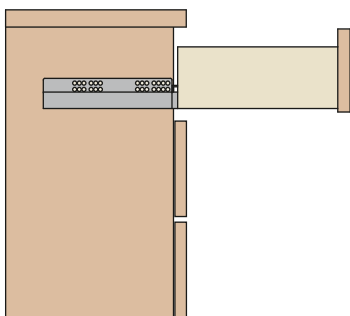


Full-extension runner fixed to the drawer by clip.

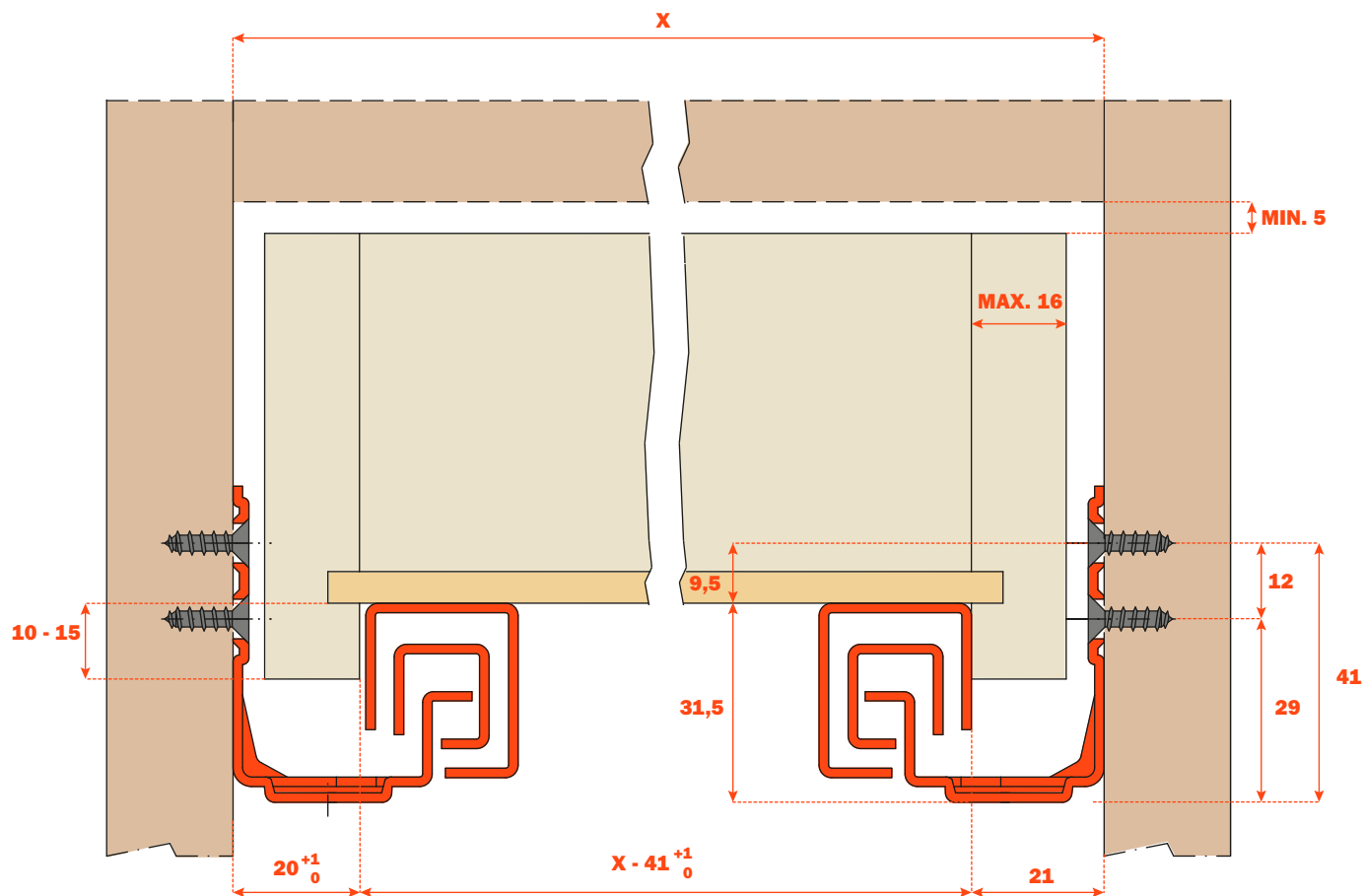
Smove: fully integrated in the runner, decelerates the closing action of the drawer.

Product features

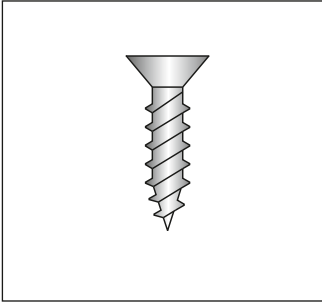
- Dynamic load capacity N 294 (Kg 30).
- Smove decelerated closing.
- Safety system that prevents the drawers from turning over.
- Drawer height adjustment +2.5 mm with clip 10 710.
- Drawer height adjustment +2.5 mm, side adjustment ± 1.5 mm, depth adjustment ± 2 mm with clip 10 750.
- The drawer is maintained parallel with the cabinet side during opening.
- Compatible with ART. 6155.
- Finish: bright zinc-plated.



Dimensions



Part number



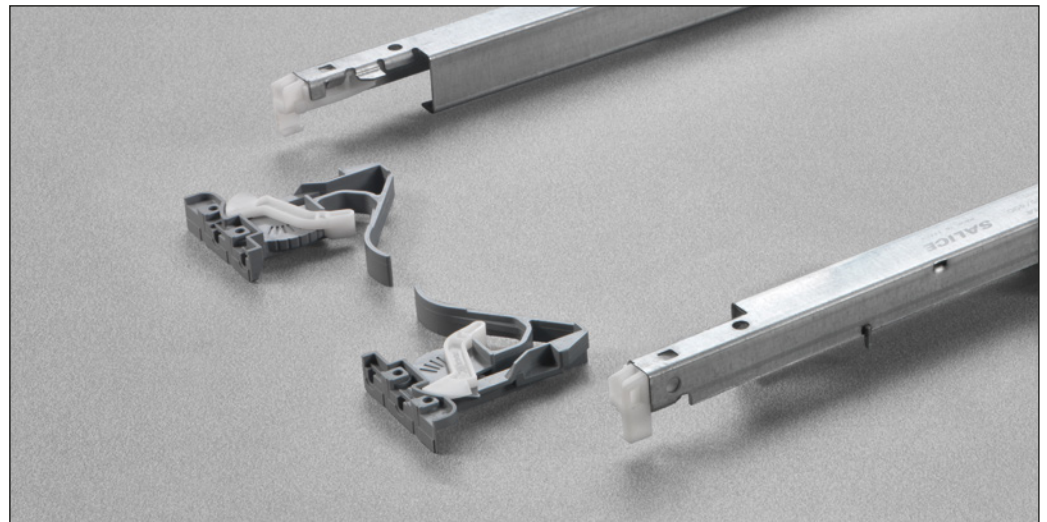
To be screw fixed
Screw TSP \varnothing 3,5 mm

BASIC PART NUMBER	RUNNER LENGTH (LN)	=	MIN. DEPTH OF THE CABINET (PM)
1 0 655 50 250 2 0 0	250		260
1 0 655 50 270 2 0 0	270		280
1 0 655 50 300 2 0 0	300		310
1 0 655 50 350 2 0 0	350		360
1 0 655 50 400 2 0 0	400		410
1 0 655 50 450 2 0 0	450		460
1 0 655 50 470 2 0 0	470		480
1 0 655 50 500 2 0 0	500		510
1 0 655 50 550 2 0 0	550		555
1 0 655 50 600 2 0 0	600		605

Fixing the drawer onto the runners

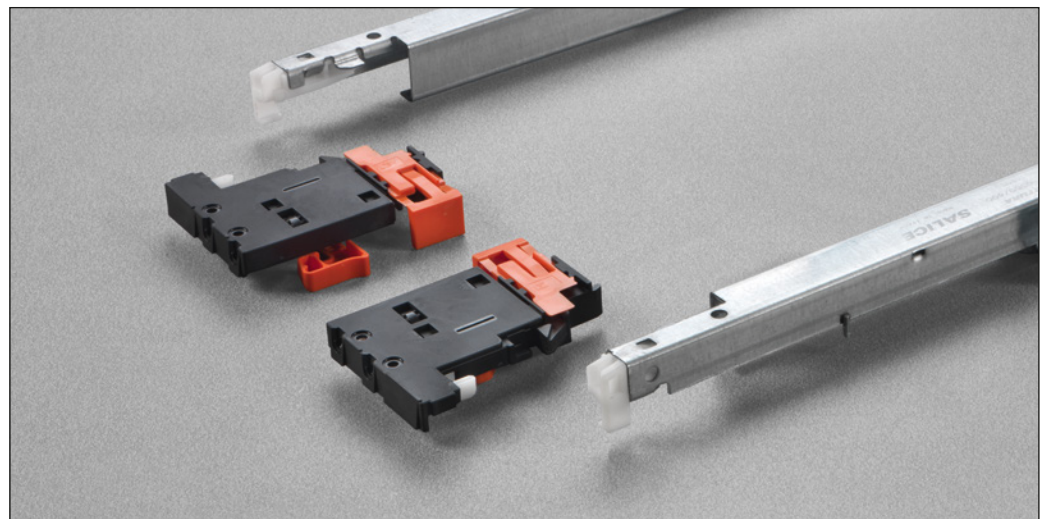
Clip part number 1 0 710 00 010 1 0 0

Detail of the clip with tool free integrated height adjustment.



Clip part number 1 0 750 00 010 1 0 0

Detail of the tool free integrated 3-way adjustment clip (height, depth and side adjustment).



Accessories

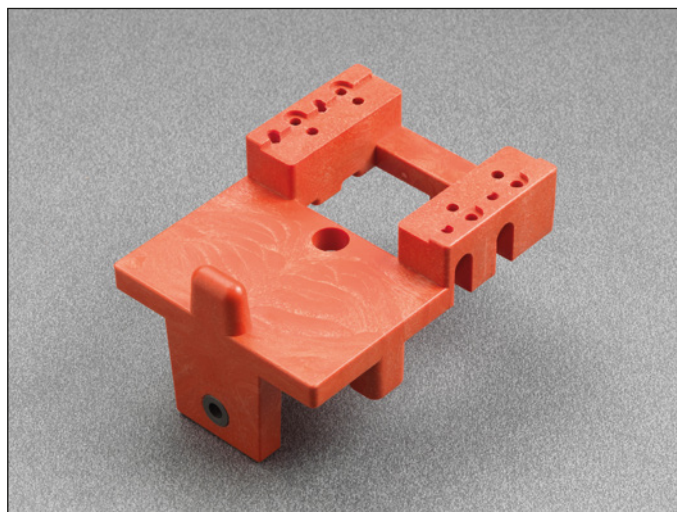
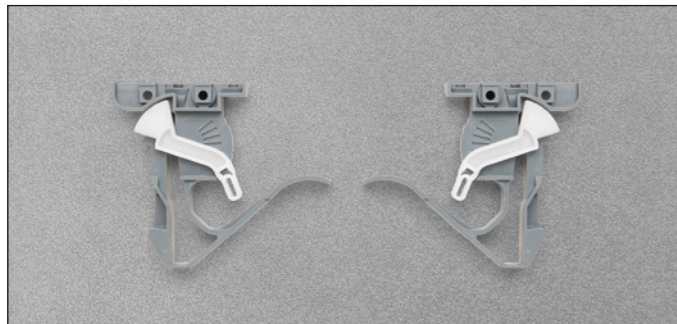
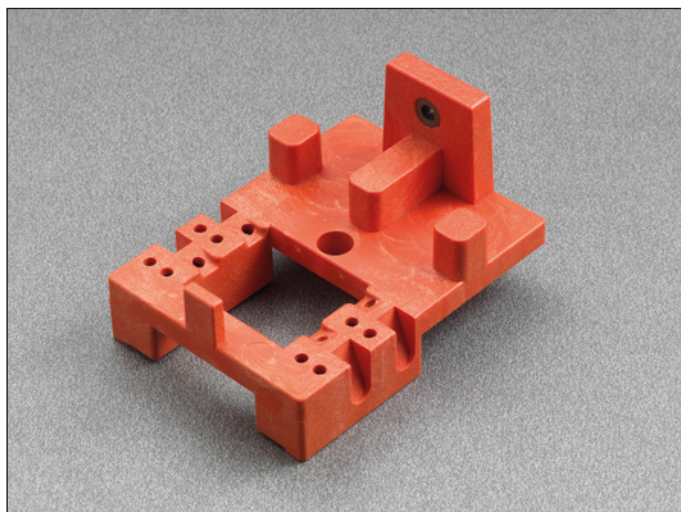


Drawer drilling templates for Futura runners

1099800652009

Template for drawer drilling and 1 way adjustable clip fixing.

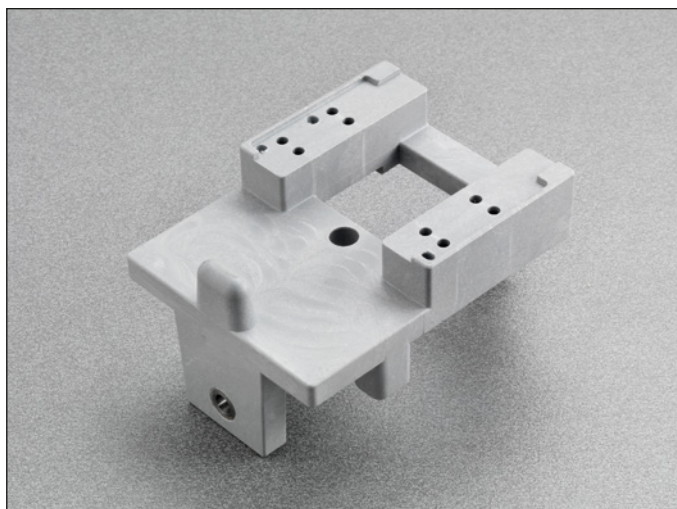
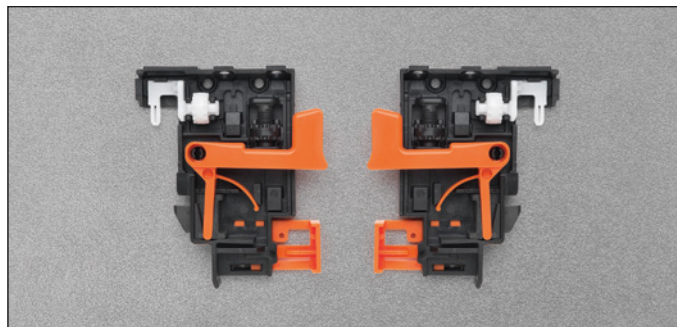
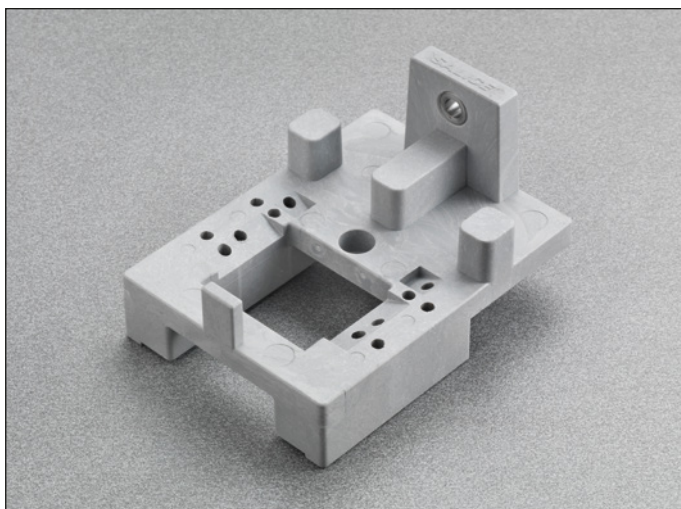
Clip part number **1 0 710** 00 010 1 0 0



1099800652010

Template for drawer drilling and 3 way adjustable clip fixing.

Clip part number **1 0 750** 00 010 1 0 0



Stabilizer for drawers

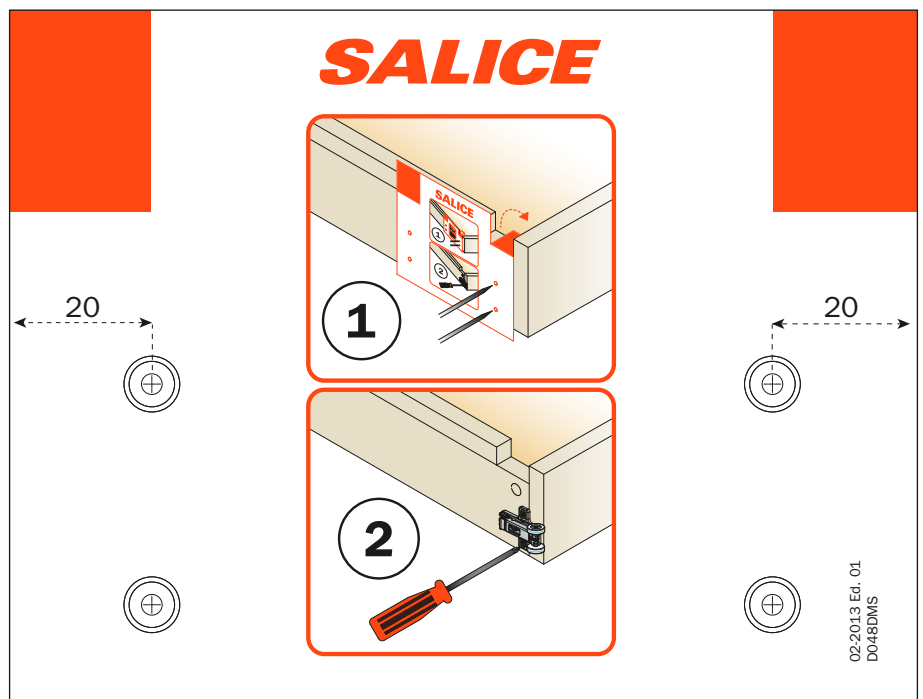
- To be fitted on both right and left sides of the drawer
- Cam adjustment to allow a perfect bearing of the wheels to the cabinet sides
- Combined with Push runners it allows the opening also by pressing the extremities of the drawer
- It improves the overall stability of the drawer



DATA FOR ORDER	
PACKING	PART NUMBER
Envelope with 2 pieces (2 mounting plates, 2 roller carriages and assembly instructions)	686940000202
Box with 50 envelopes	
Box 300 pieces	686940000200

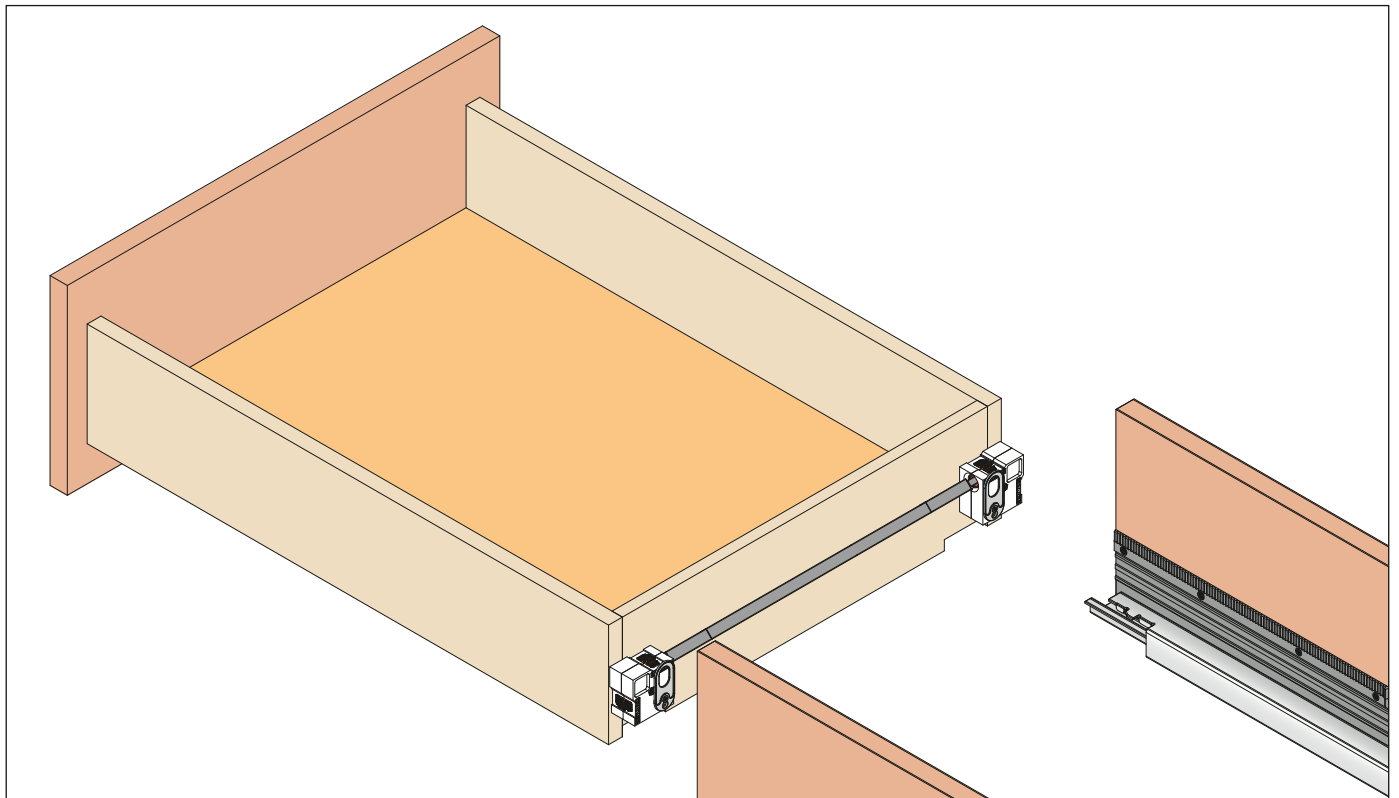
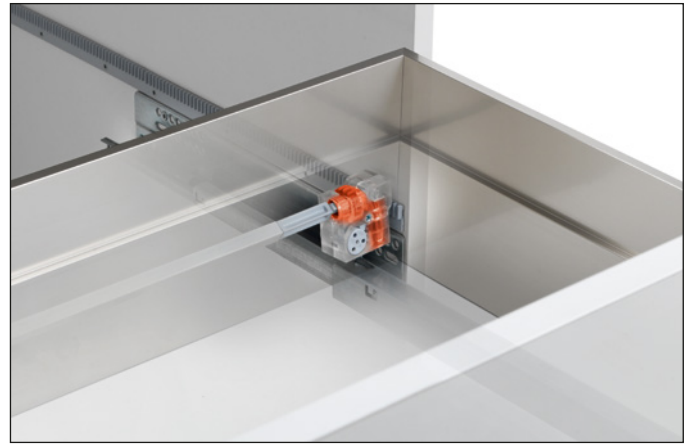
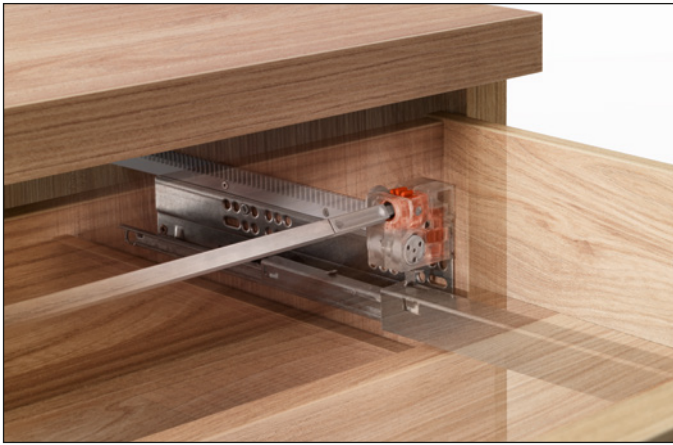
Template with assembly instructions

Included in the packing



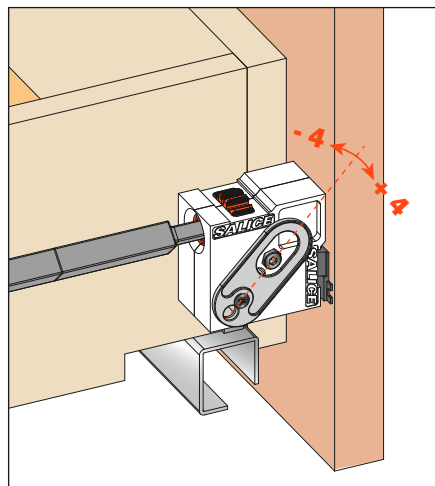
Stabila

Rack and pinion stabiliser for larger drawers. Recommended for drawers over 900 mm in width. The synchronisation of the runners assists the opening and the closing action of wider handle-less drawers. Compatible both with Lineabox drawers and wooden drawers with full-extension runners.

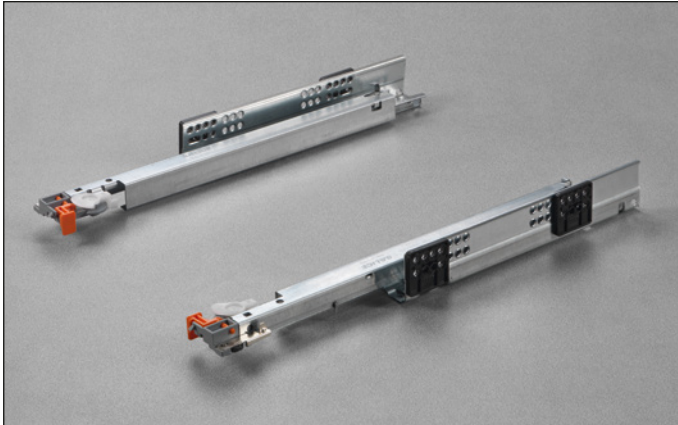


Adjustment

The adjustment feature enables the optimal degree of engagement of the gear teeth with the rack. Rotate the lever towards the outside to increase the insertion, towards the inside to reduce it. The optimal adjustment value confers a fluid sliding movement to the runners.



Spacer for Futura runners



Thickness 4,5 mm



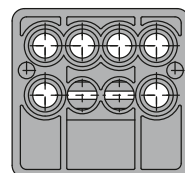
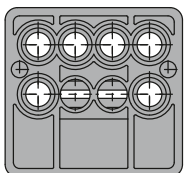
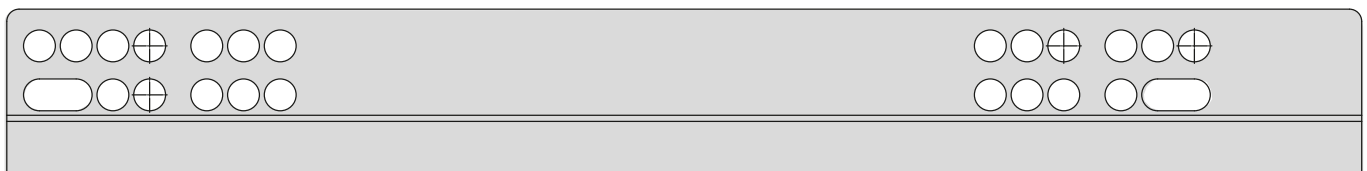
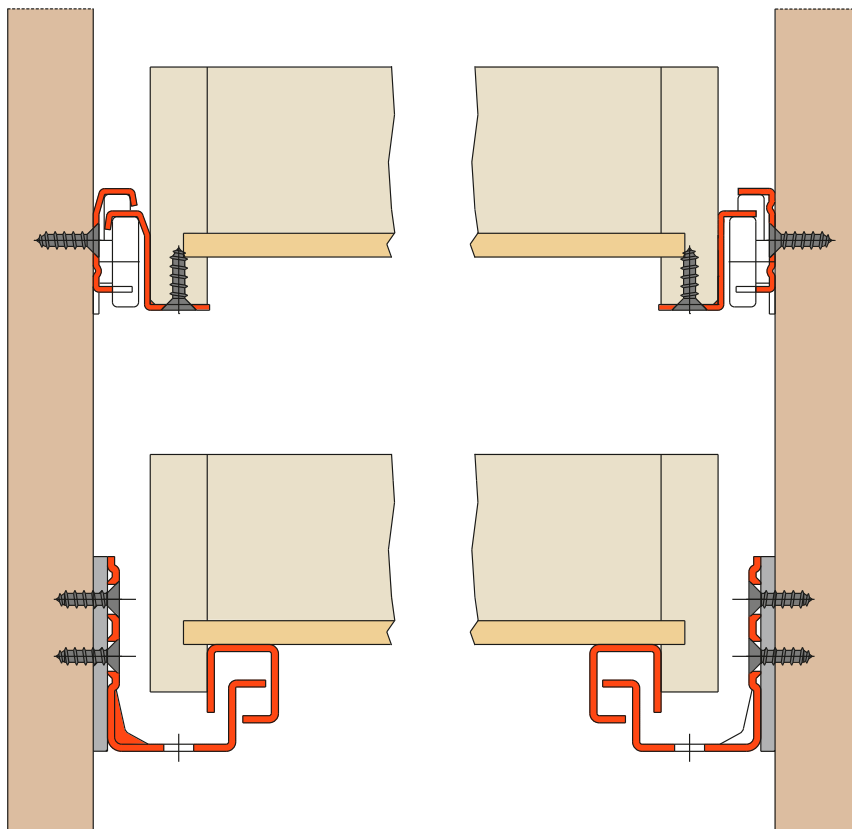
Thickness 6 mm



DATA FOR ORDER

Packing: 1 x 800 pieces

DESCRIPTION	PART NUMBER
Spacer 4,5 mm	825104145
Spacer 6 mm	825104160



ARTURO SALICE S.p.A.

VIA PROVINCIALE NOVEDRATESE, 10
22060 NOVEDRATE (COMO) ITALIA
TEL. 031 790424
FAX 031 791508
info.salice@salice.com
www.salice.com

DEUTSCHE SALICE GMBH

RUDOLF DIESEL STR. 10
POSTFACH 1154
74382 NECKARWESTHEIM
TEL. 07133 9807-0
FAX. 07133 9807-16
info.salice@deutschesalice.de
www.deutschesalice.de

DEUTSCHE SALICE GMBH

VERKAUFSBÜRO NORD
RINGSTRASSE 36/A30 CENTER
32584 LÖHNE
TEL. 05731 15608-0
FAX. 05731 15608-10
vknord@deutschesalice.de
www.deutschesalice.de

SALICE FRANCE S.A.R.L.

ROUTE DE GOA ZAC LES 3 MOULINS
06600 ANTIBES
TEL. 0493 330069
FAX. 0493 330141
info.salice@salicefrance.com
www.salicefrance.com

SALICE ESPAÑA, S.L.U.

CALLE COPÉRNICO, 11
POLÍGONO INDUSTRIAL
COLL DE LA MANYA
08403 GRANOLLERS (BARCELONA)
TEL. 938 45 88 61
FAX 938 49 11 97
info.salice@saliceespana.es
www.saliceespana.es

SALICE UK LTD.

KINGFISHER WAY
HINCHINGBROOKE BUSINESS PARK
HUNTINGDON CAMBS PE 29 6FN
TEL. 01480 413831
FAX. 01480 451489
info.salice@saliceuk.co.uk
www.saliceuk.co.uk

SALICE AMERICA INC.

2123 CROWN CENTRE DRIVE
CHARLOTTE NC. 28227
TEL. 704 8417810
FAX. 704 8417808
info.salice@saliceamerica.com
www.saliceamerica.com

SALICE CANADA INC.

4025 SLADEVIEW CRESCENT
UNIT # 7-9
MISSISSAUGA, ONTARIO L5L 5Y1
TEL. 905 8208787
FAX. 905 8207226
info.salice@salicecanada.com
www.salicecanada.com

SALICE CHINA (SHANGHAI) CO. LTD.

1st FLOOR, B1 BLDG 928 MINGZHU ROAD
XUJING, QINGPU DISTRICT
SHANGHAI 201702 - CHINA
Tel. 021 3988 9880
Fax 021 3988 9882
info.salice@salicechina.com
www.salicechina.com



Digital contents:

- **Technical pamphlet in Pdf format**
- **Configurator**

We reserve the right to change technical specifications without notice.