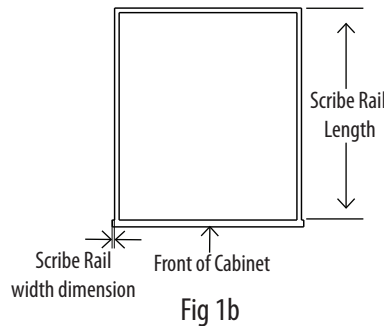
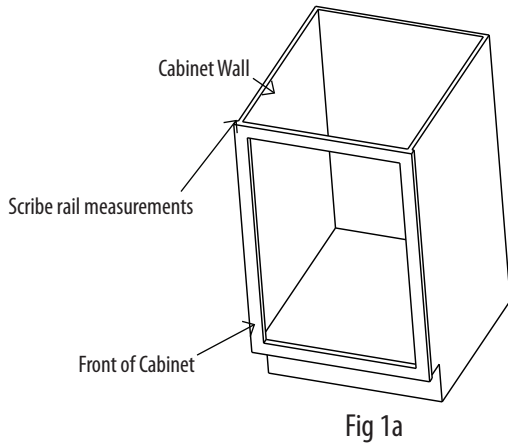
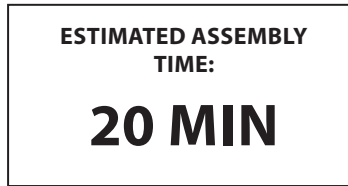




Installation Instructions for Soft-Close Base Filler with *blum*® Slides

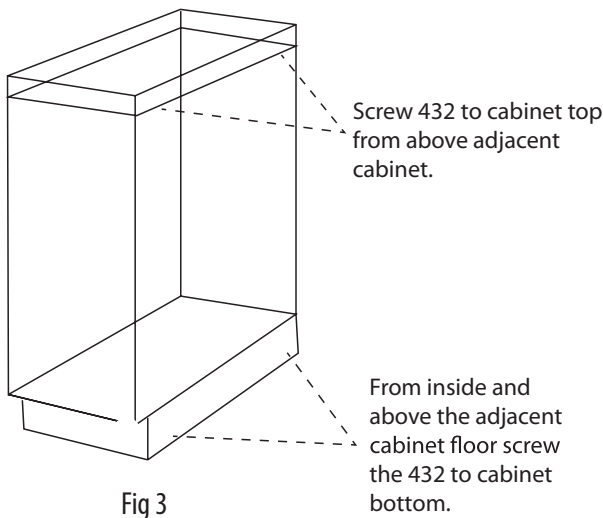
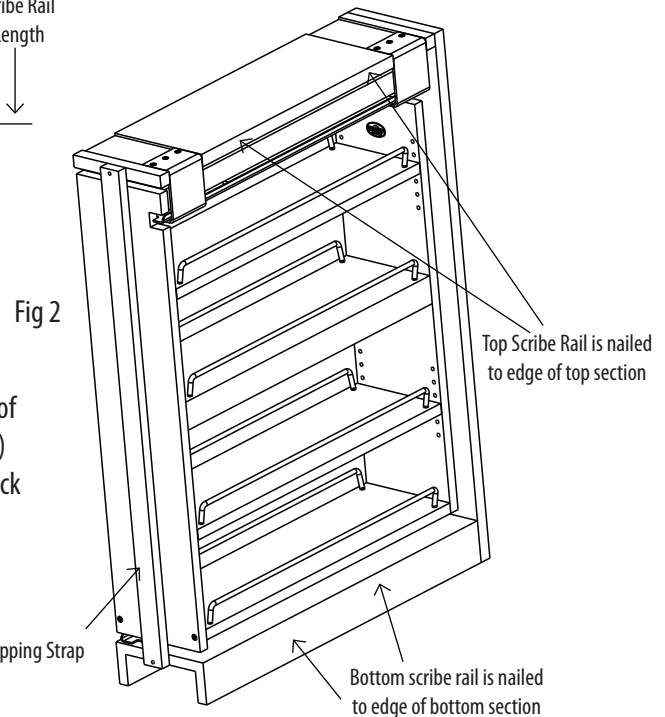
Note: Do not remove front shipping strap prior to installation!



Step 1. Measure scribe rail thickness and length per your specific cabinetry. (See Fig 1a and 1b)

Step 2. Install upper and lower scribe rails to filler pullouts being careful not to split the wood. If using screws to attach, be sure to pre-drill first. Align scribe rails with front edge of filler pullouts. Align scribe rail to upper section of base cabinet lower mounting. (See Fig 2)

Note: If installing pullout in a frameless application, it is recommended that a 1/16" thick scribe rail be used to space the filler unit properly.



Step 3. Pre-drill 3/16" holes 3/8" down from top of cabinet and also 27-3/4" down from top of cabinet. (See Fig 3) Repeat with adjacent cabinet.

Step 4. Mount filler cabinet pullout to adjacent cabinet. Make sure filler is flush with the top of the cabinet wall and behind the face-frame if applicable.

Step 5. Mount filler cabinet pullout to remaining adjacent cabinet.

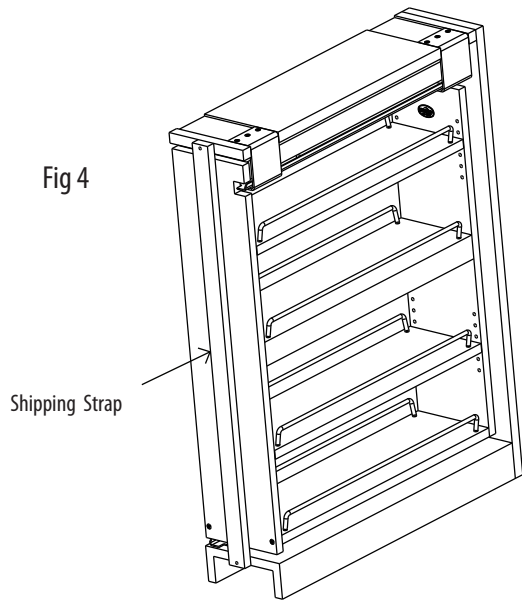


Fig 4

Shipping Strap

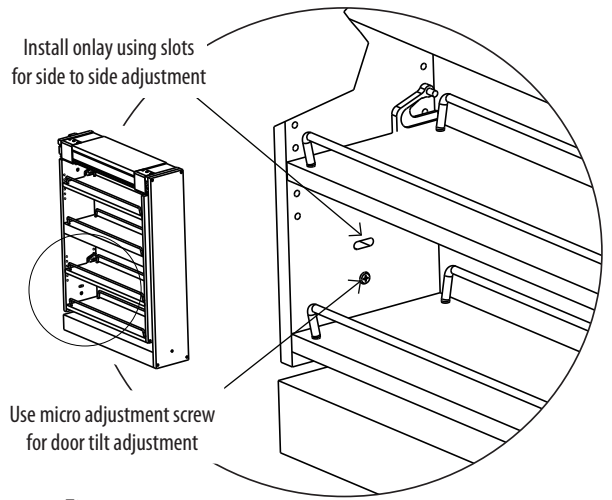


Fig 5

Step 6. Remove front shipping strap. (See Fig 4)

Step 7. Attach onlays or door panels. (not provided). (See Fig 5)

Disassembling the pullout from the chassis

Note: Your pullout unit does not need to be removed for installation. If you encounter an issue that requires the unit to be removed, the release levers for the Blum Tandem slides are located as shown. (See Fig 6a-b).

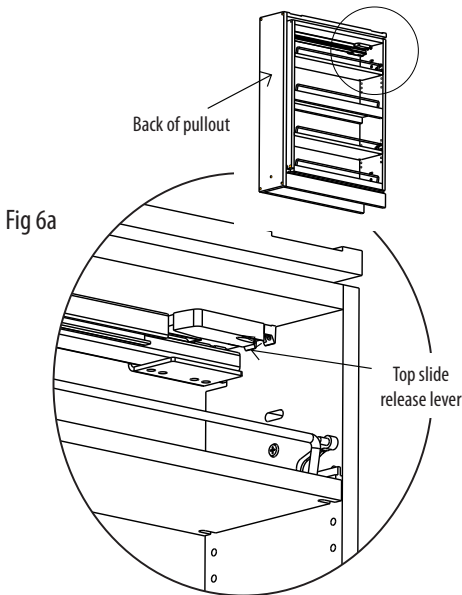


Fig 6a

Back of pullout

Top slide release lever

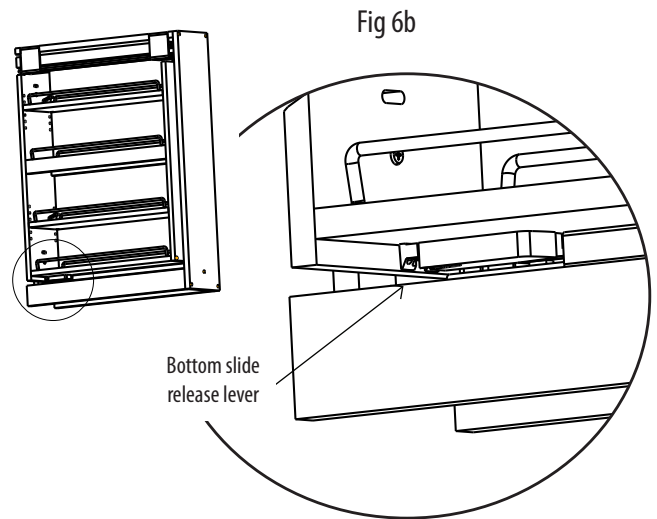


Fig 6b

Bottom slide release lever

Front slide height adjustment

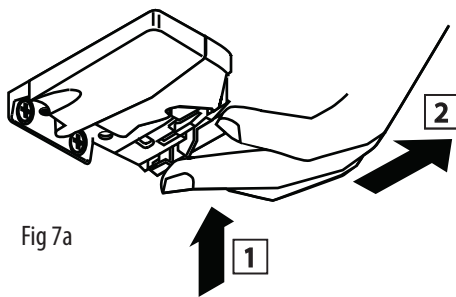


Fig 7a

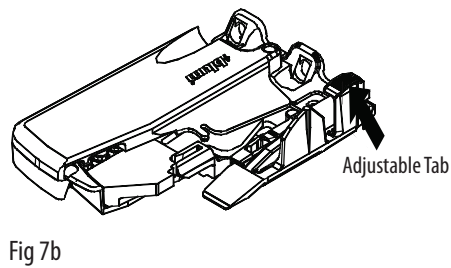


Fig 7b

Adjustable Tab

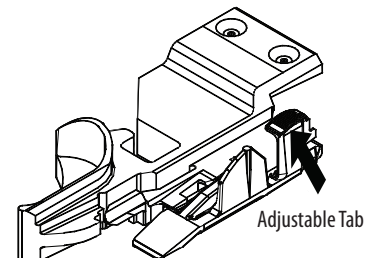


Fig 7c

Adjustable Tab

Step 1. Press up on adjustment tab.

Step 2. Push toward back of unit. Maximum 1/8" rise of filler.

(See Fig 7a-c)