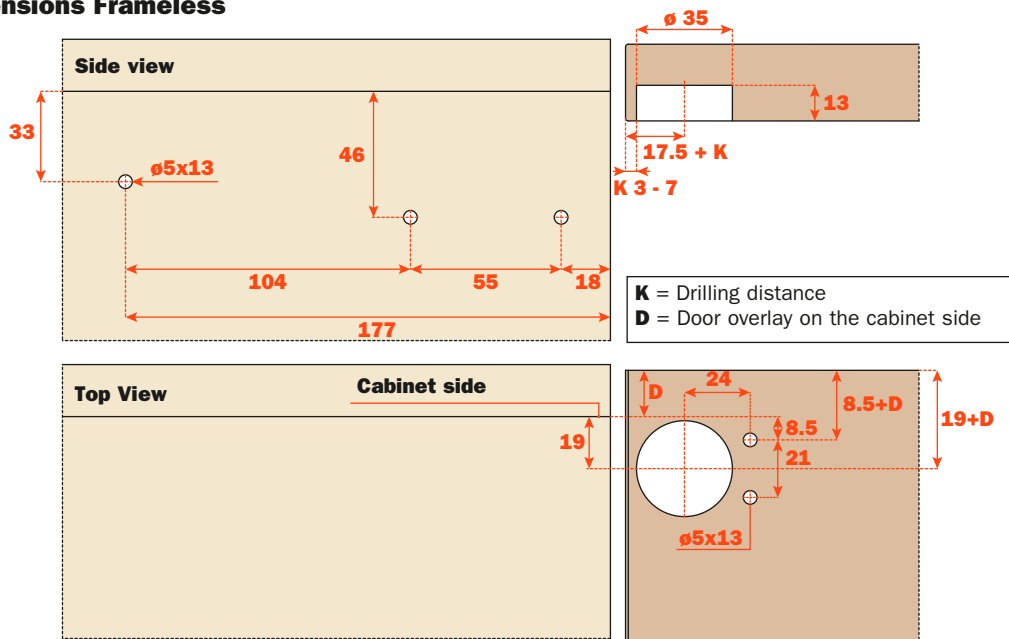


## Technical information

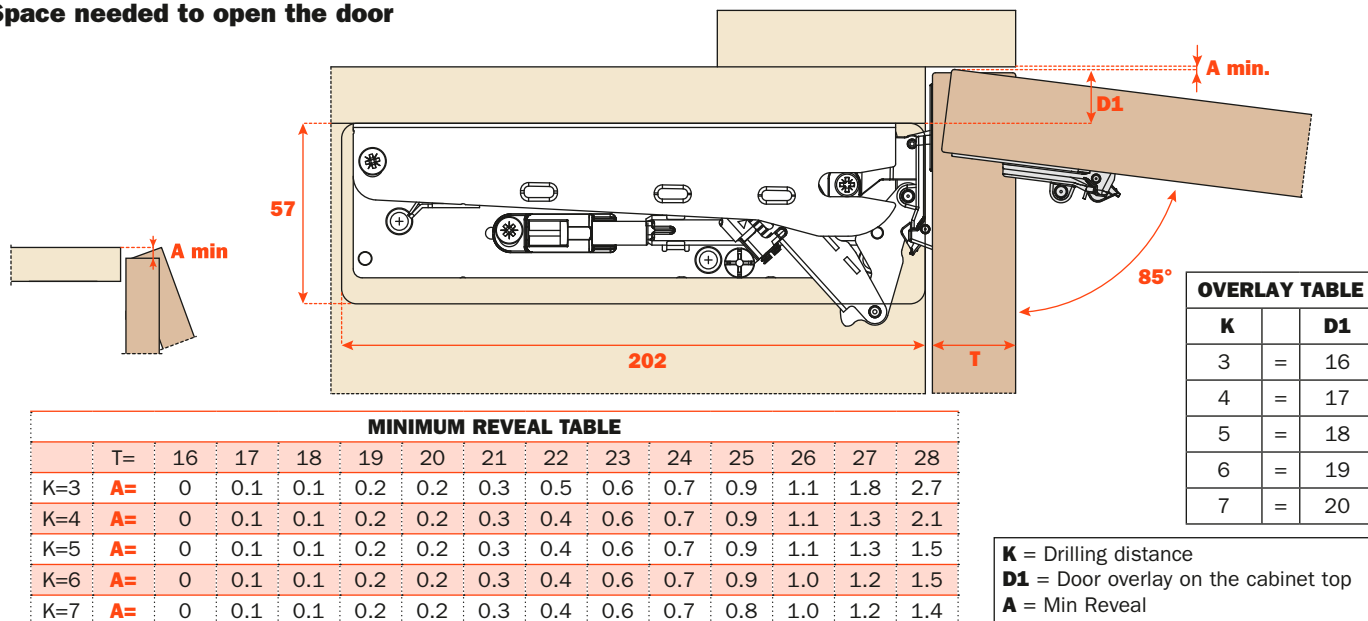
### Flap door lift system fixed to the cabinet sides.

Drilling of the door  $\varnothing 35$ .  
 13 mm deep cup.  
 85° opening with stop device (premounted).  
 94° opening without stop device.  
 Minimum door height 220mm / 8-5/8"  
 Maximum door height 610mm / 24"  
 Possible drilling distance on the door (K): from 3 to 7 mm.

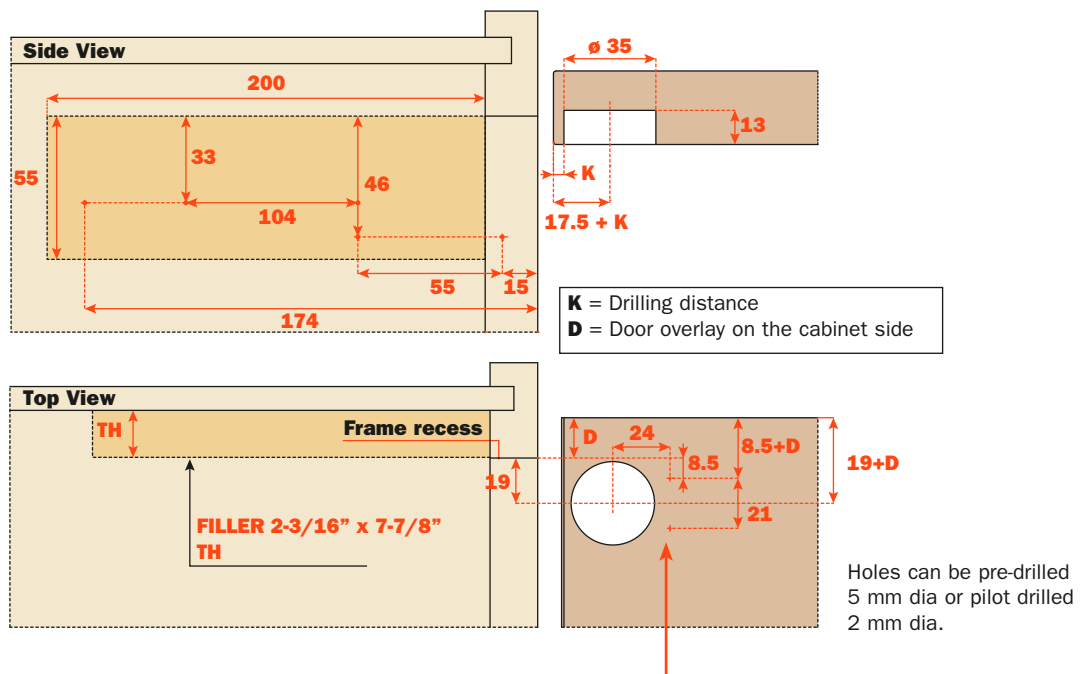
## Drilling pattern - Dimensions Frameless



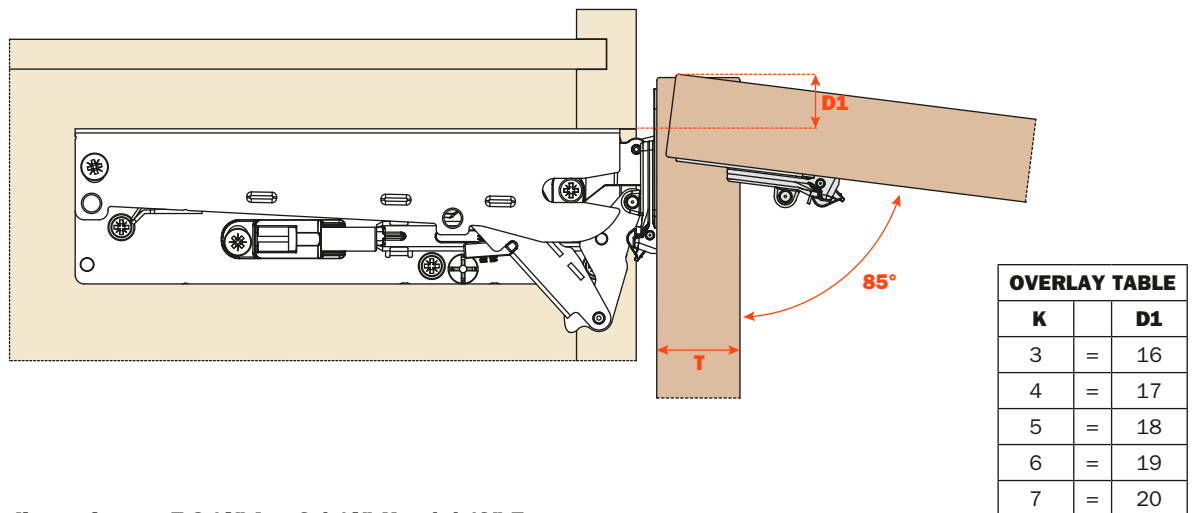
## Space needed to open the door



### Drilling pattern - Dimensions - Frame



### Space needed to open the door

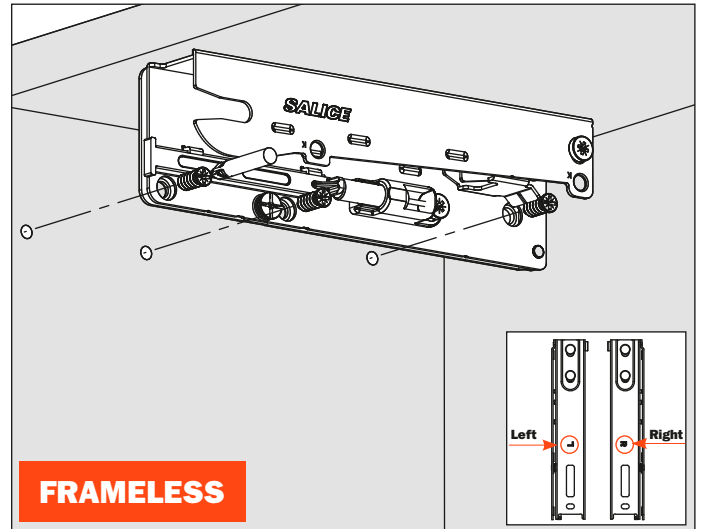
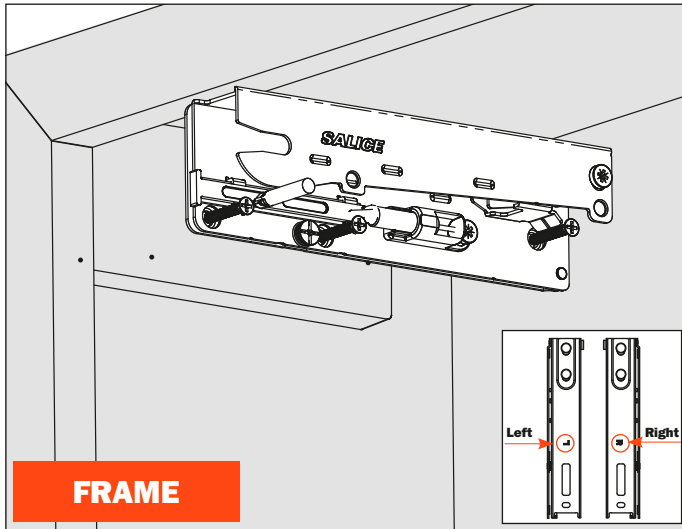


Wind "Footprint" dimensions= 7-3/4" L x 2-1/4" H x 1-1/2" T

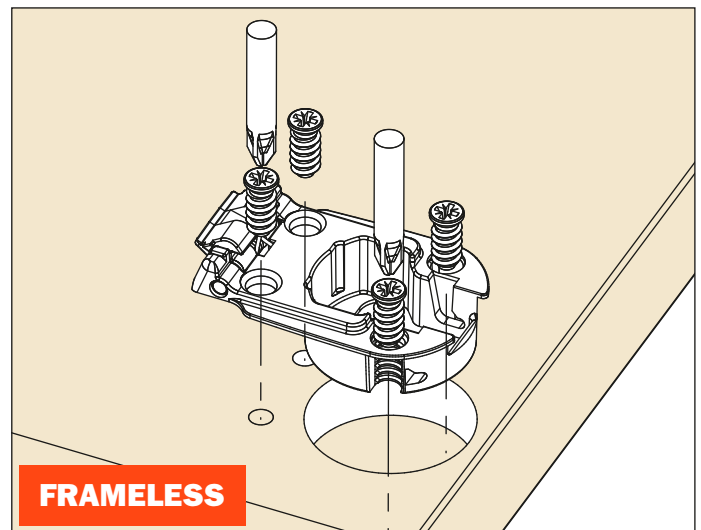
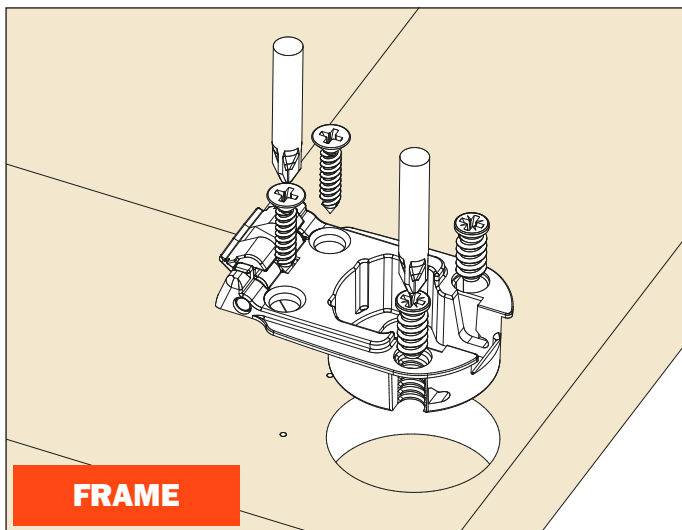
**K** = Drilling distance  
**D1** = Door overlay on the cabinet top

## Attaching the base to the cabinet sides

Use 5mm x 13mm system screws or #7 x 5/8" wood screws.



## Installing the cups to the door



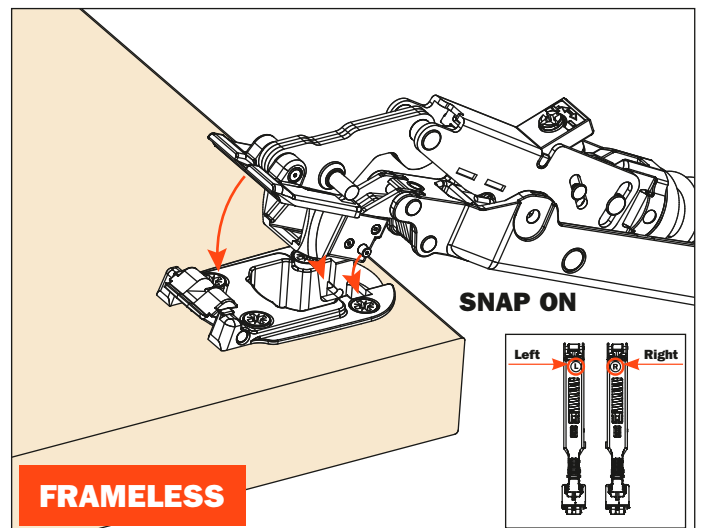
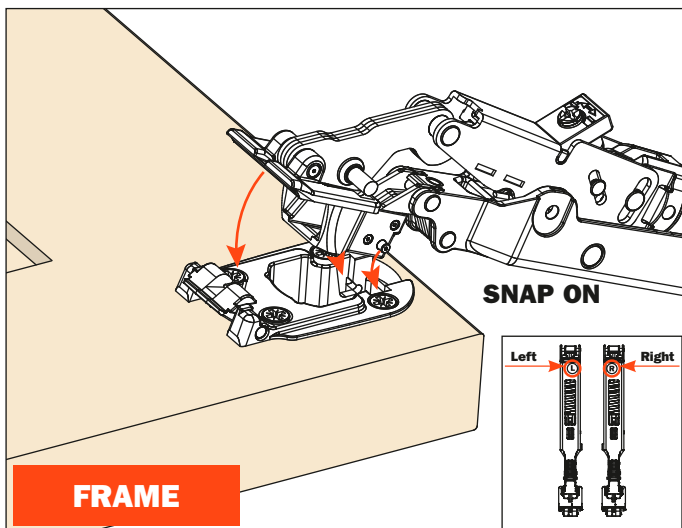
## Connecting the lift mechanism to the cups

This operation is tool free.

**Note:**

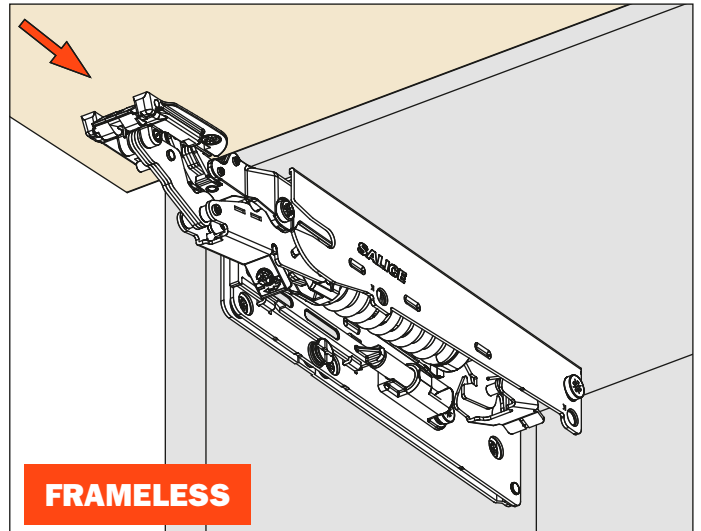
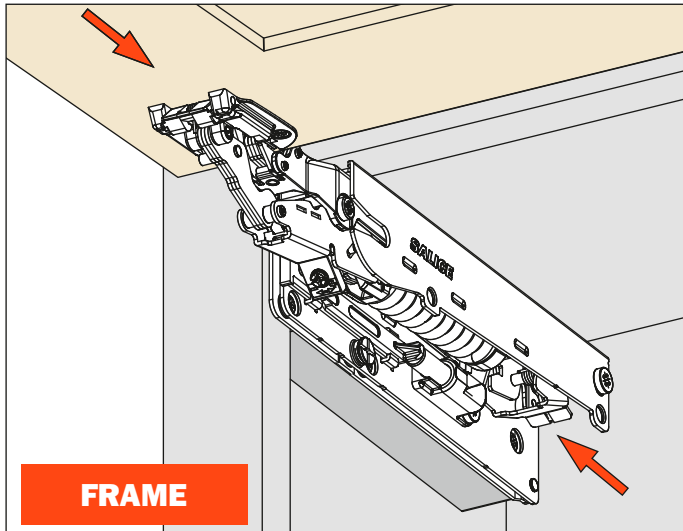
**LH** lift mechanism must be installed in LH base,

**RH** lift mechanism must be installed in RH base.

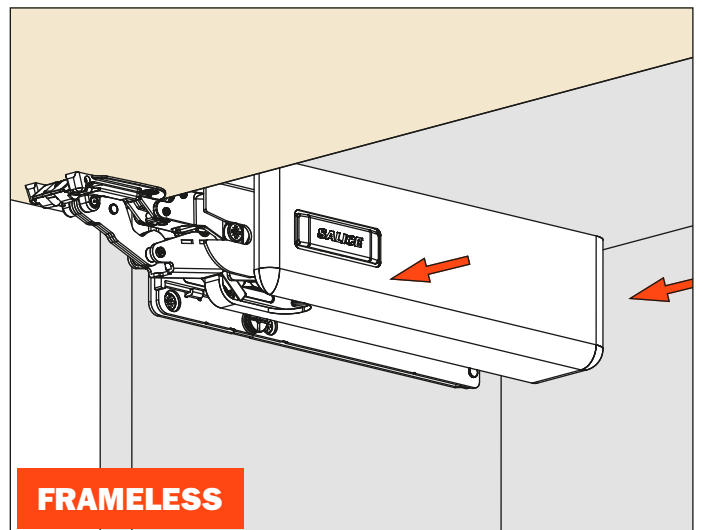
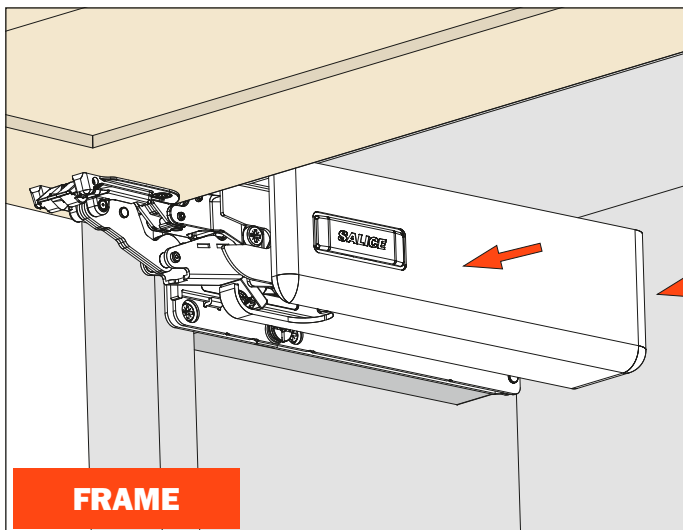


## Connecting the lift system to the base

This operation is tool free.



## Installing the covers





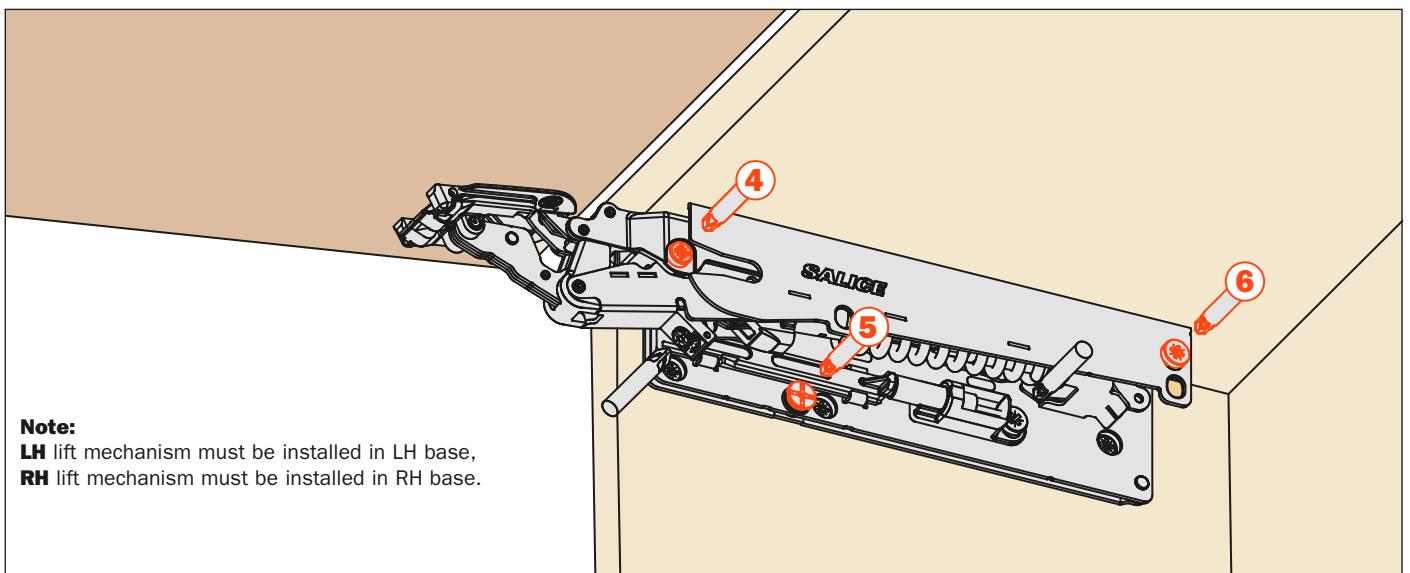
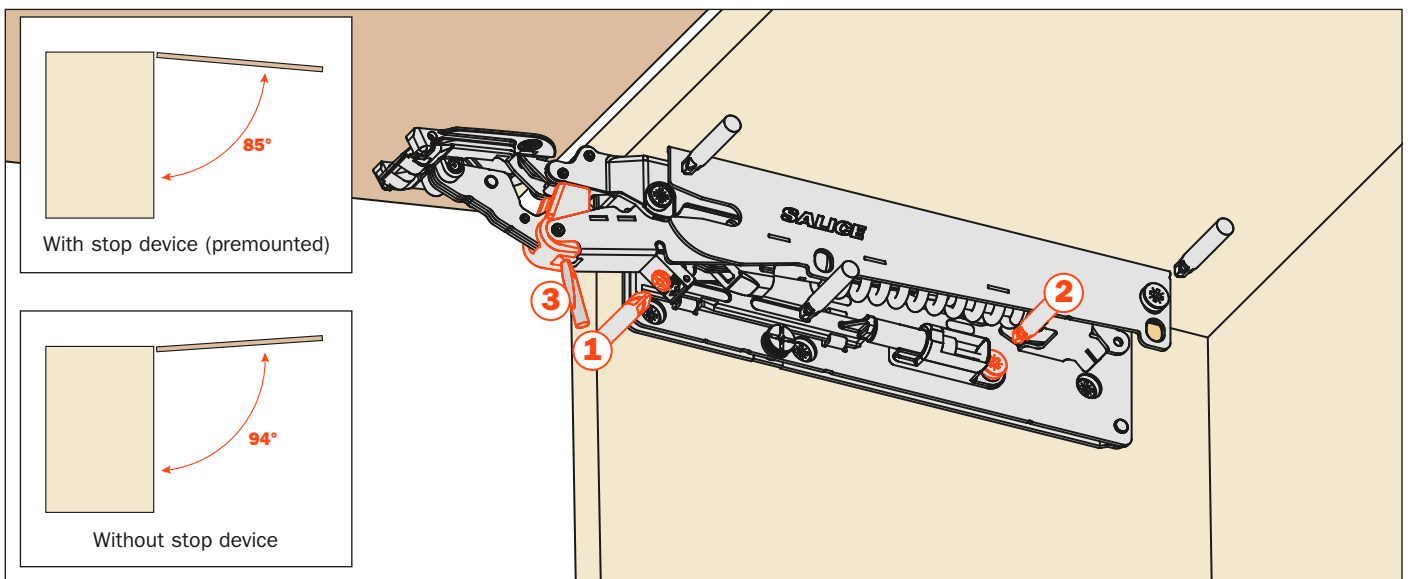
## WARNING ! Security cable ties.

Remove the cable ties only at the end of the assembly.  
Use the instructions and the QR Code attached to the systems.

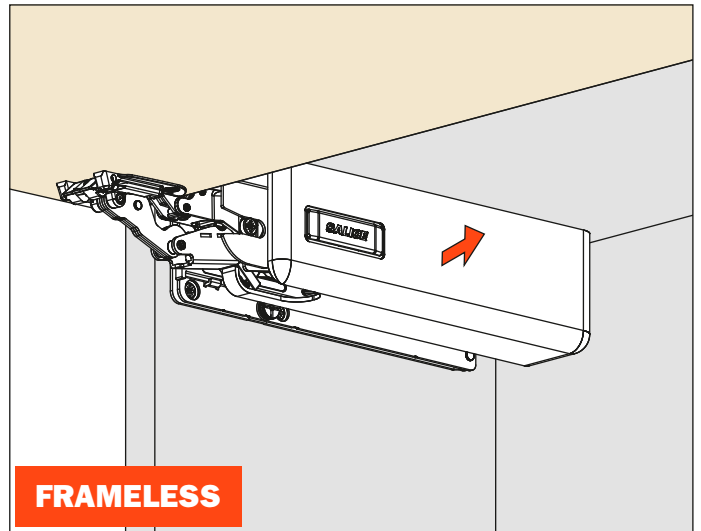
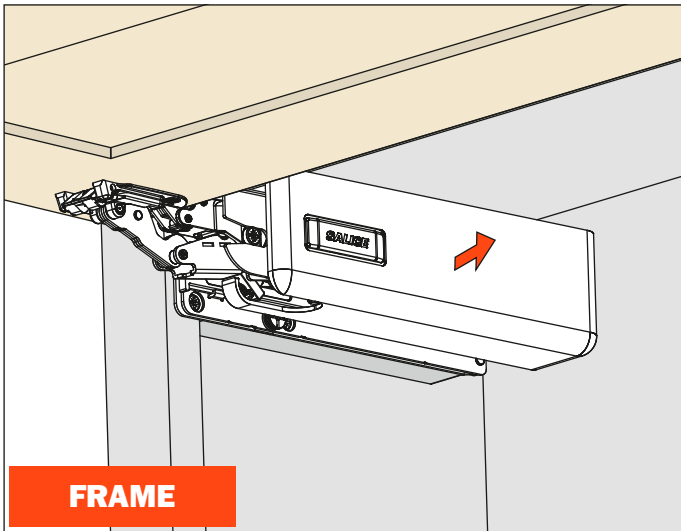


## Adjustments.

- 1 - adjustment of the spring strength.
- 2 - adjustment of the decelerating effect.
- 3 - removal of the angle reduction clip.
- 4 - height adjustment of the door from - 2 to +2.
- 5 - side adjustment of the door from - 2 to +2.
- 6 - depth adjustment of the door from - 1 to +3.

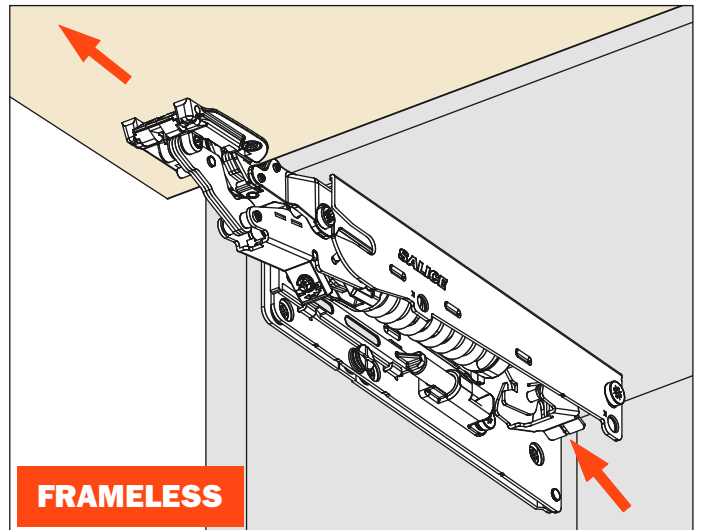
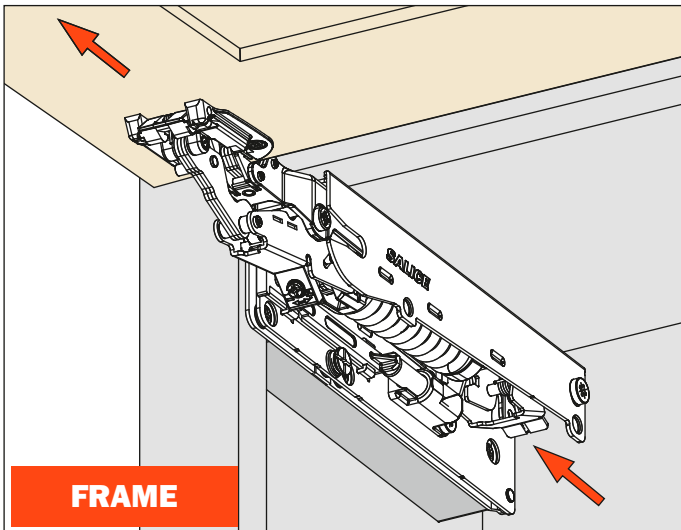


Removal of the covers



Disassembly of the system

Press the back lever and remove the lift mechanism. This operation is tool free.



Remove the lift mechanism from the cups (door)

Disconnecting the system from the cups. This operation is tool free.

